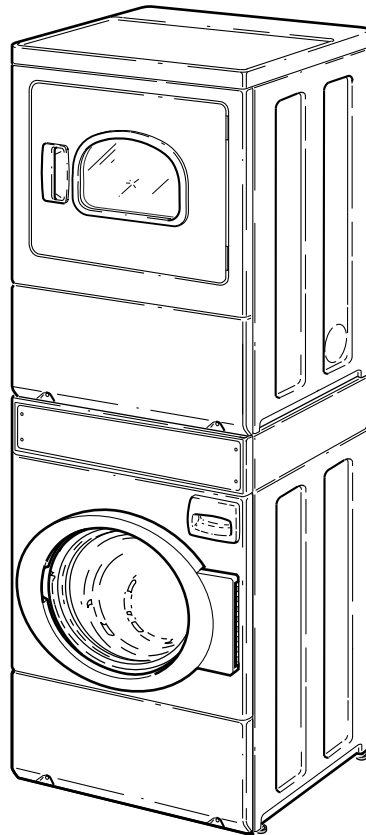


Homestyle Stacked Washer/Dryer

Refer to Page 3 for Model Numbers



SWD452C_802847

Parts

Table of Contents

Title	Page
Parts Ordering Information.....	2
Nameplate Location.....	2
Model Identification.....	3
Control Cabinet and Controls.....	4
Control Panel and Controls.....	6
Washer Front Panel, Door Assembly and Door Seal.....	8
Dispenser Assembly.....	10
Mixing Valve, Valve-to-Dispenser Inlet Hose and Fill Hose.....	12
Outer Tub, Front and Clamp Ring.....	14
Inner Basket, Trunnion, Bearing Housing and Pulley.....	16
Washer Motor and Belt.....	18
Drain Hose and Pump.....	20
Washer Base, Panels and Rear Panel.....	22
Junction Box.....	24
Wire Ties and Harness Clips.....	26
Dryer Loading Door with Window (Drawing 1 of 2).....	28
Dryer Loading Door with Window (Drawing 2 of 2).....	30
Dryer Access Panel, Front Panel and Seal.....	32
Dryer Motor, Exhaust Fan and Belt.....	34
Front Bulkhead, Air Duct, Felt Seal and Cylinder.....	36
Rear Bulkhead, Felt Seal, Cylinder Roller and Terminal Block.....	38
Heater Duct and Element Assembly.....	40
Heater Duct Assembly.....	42
Gas Valve, Igniter and Gas Conversion Kits.....	44
Burner Orifice Spuds - For Higher Elevations (Drawing 1 of 2).....	46
Burner Orifice Spuds - For Higher Elevations (Drawing 2 of 2).....	48
Dryer Cabinet, Exhaust Duct and Base.....	50
Power Cord.....	52
Dryer Motor Connection Block, Terminal Extractor Tools.....	54
Shipping Materials.....	56
Special Tools.....	58
Labels.....	60
Wire Harnesses and Wires.....	62
Wire Harnesses and Wires Through Serial No. 1303025314.....	64
Wire Harnesses and Wires Starting Serial No. 1303025315.....	66
Parts Index.....	69

© Copyright 2013, Alliance Laundry Systems LLC

All rights reserved. No part of the contents of this book may be reproduced or transmitted in any form or by any means without the expressed written consent of the publisher.

Parts Ordering Information

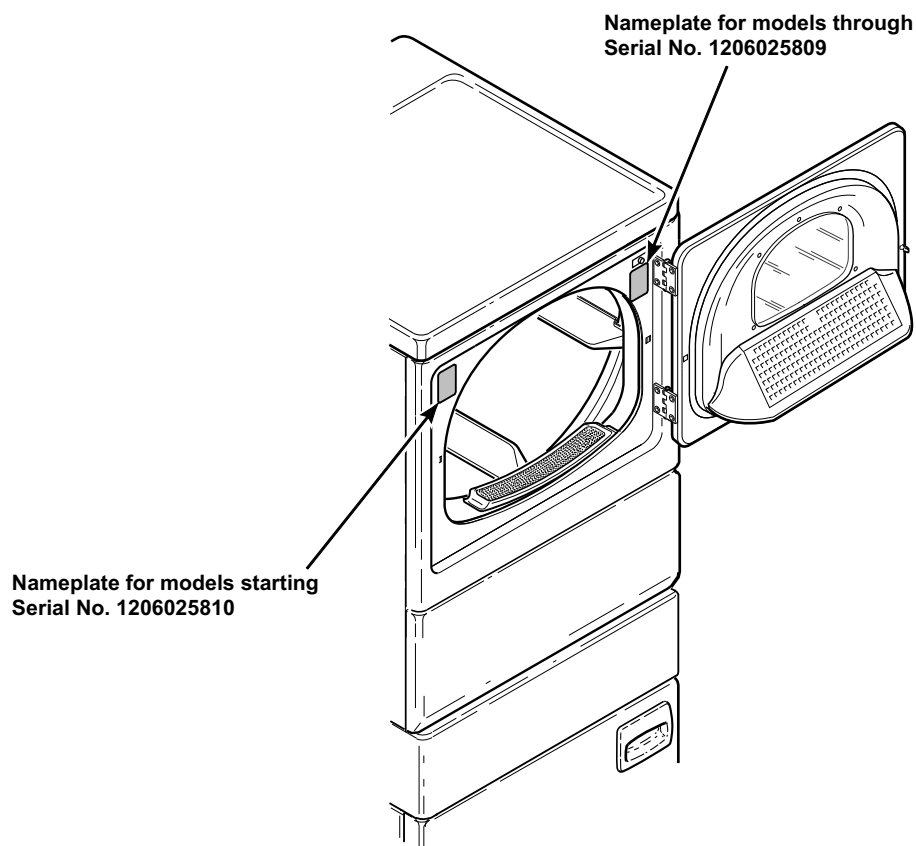
If literature or replacement parts are required, contact the source from whom the machine was purchased or contact Alliance Laundry Systems at (920) 748-3950 for the name and address of the nearest authorized parts distributor.

For technical assistance, call either of the numbers listed below:

(920) 748-3121 Ripon, Wisconsin
+32 56 41 20 54 Wevelgem, Belgium

Nameplate Location

When calling or writing about your product, be sure to mention model and serial numbers. Model and serial numbers are located on nameplate(s) as shown.



SWD1276P_802847

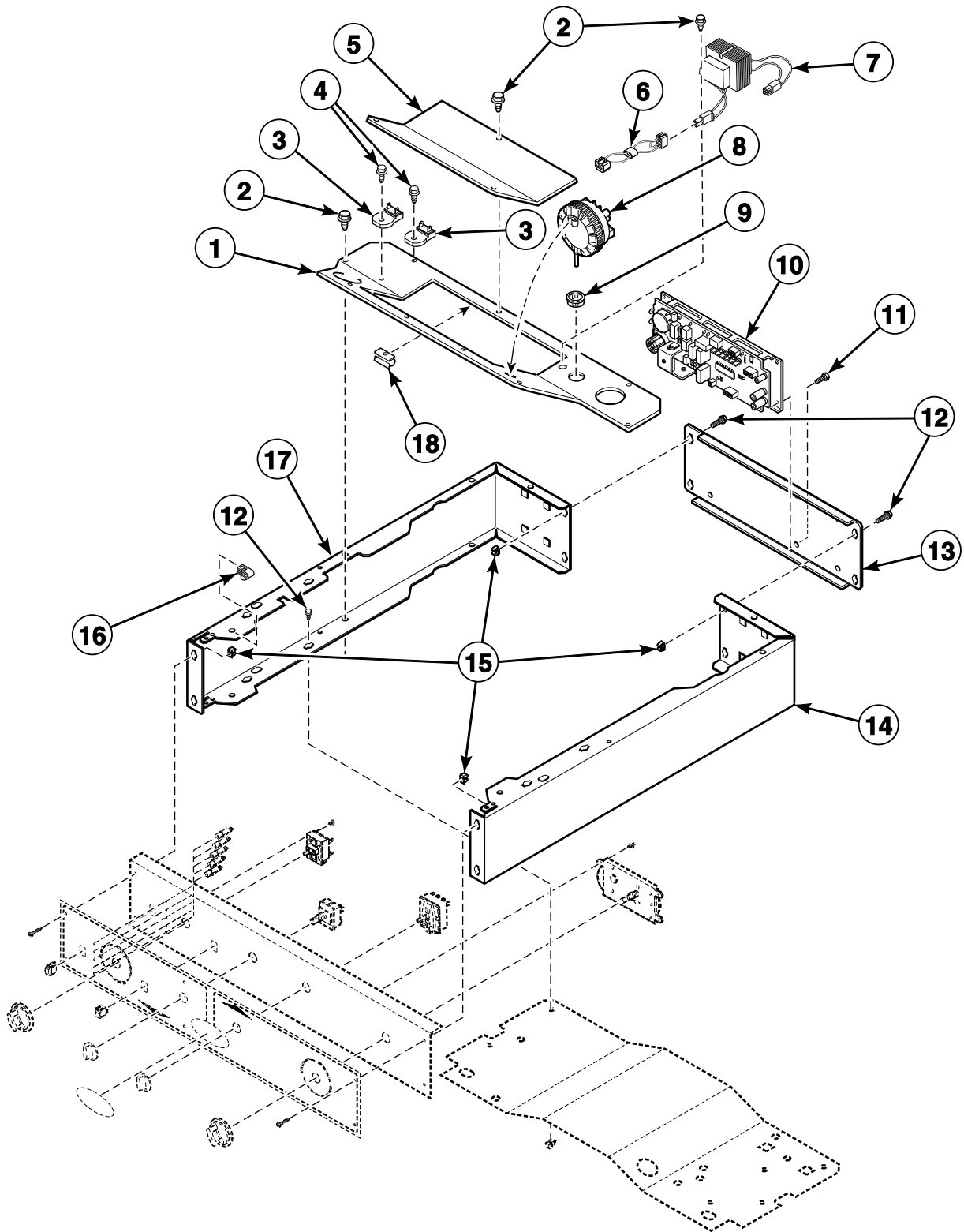
Model Identification

Information in this manual is applicable to these stacked washer/dryer models:

ATE50FWP431AW01	LTSA9A*N
ATG50FWP301AW01	LTSA9A*N1180
BTE50FSP171TW01	LTSA9A*N3000
BTE50FSP281CW01	LTSA9A*N3060
BTG50FSP091CW01	LTSA9A*N3061
BTG50FSP111TW01	LTUA7A*N
FTE50FSP301NW01	LTUA7A*N2802
FTE50FSP301NW10	LTUA9A*N
FTG50FSP301NW10	LTZA7A*N
LTE50FGP541NW23	LTZA7A*N2802
LTG50FSP081JW01	LTZA9A*N
LTKA6A*N4350	LTZA9A*N0902
LTL50FGP541NW23	UTE50FSP171TW08
LTSA7A*N	UTG50FSP111TW08
LTSA7A*N1500	
LTSA7A*N2989	
LTSA7A*N3000	
LTSA7A*N3300	
LTSA7A*N4350	
LTSA7A*N4351	

* Add Letter To Designate Color. Q - Bisque W - White

Control Cabinet and Controls



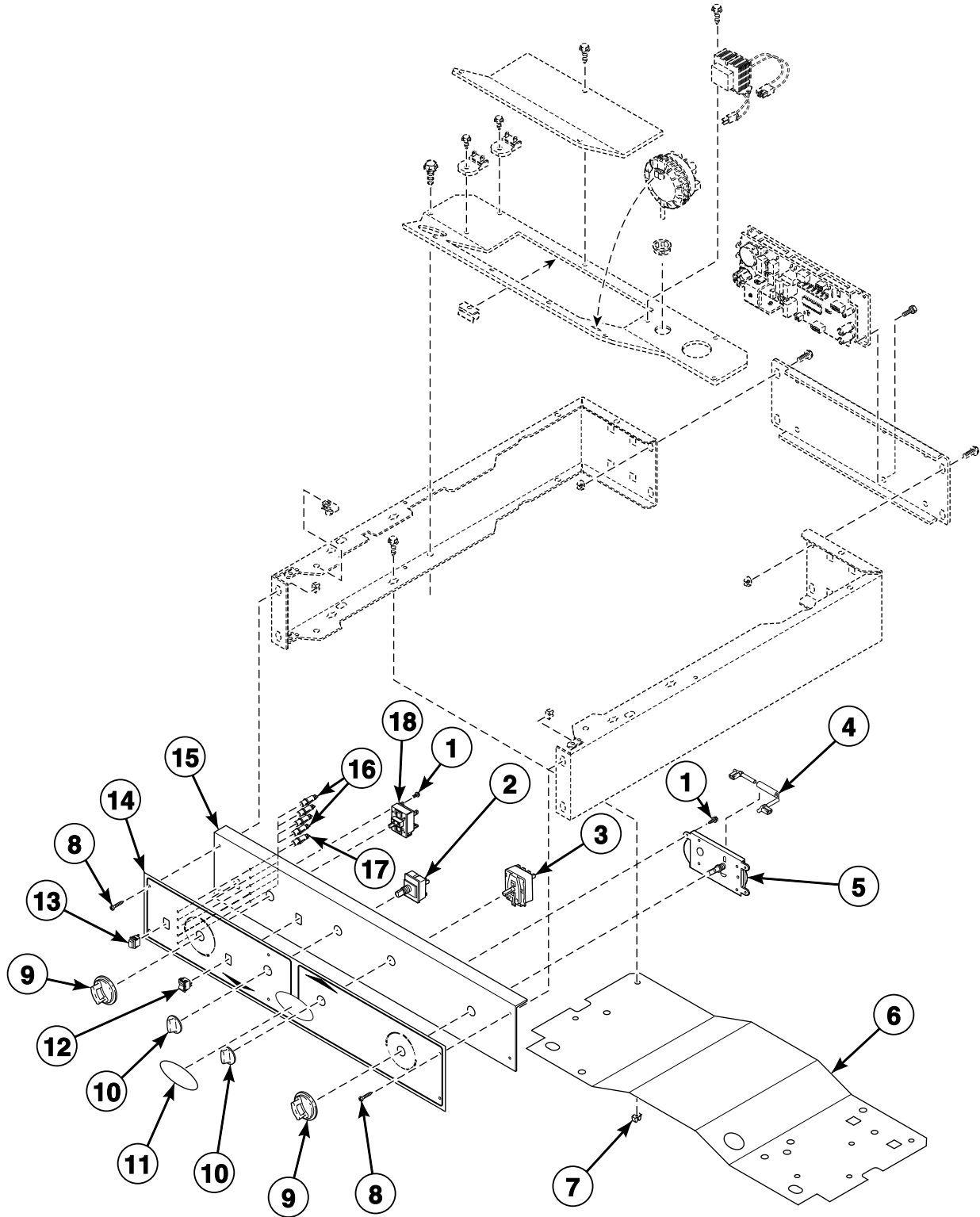
SWD1275P_802847

Control Cabinet and Controls

REF	PART NO.	DESCRIPTION	COMMENTS
1	801372	Control Shield	Uses service door
	801371	Control Shield	No service door
2	503661	Screw	
3	210100	Resistor	Models ATE50FWP431AW01, ATG50FWP301AW01, FTE50FSP301NW01, FTE50FSP301NW10, FTG50FSP301NW10, LTE50FGP541NW23, LTKA6A*N4350, LTL50FGP541NW23, LTSA7A*N3000, LTSA7A*N3300, LTSA7A*N4350, LTSA7A*N4351, LTSA9A*N3000, LTSA9A*N3060 and LTSA9A*N3061
4	503688	Screw	
5	801373	Control Access Door	
6	M413504	Jumper Harness Assembly	Model LTG50FSP081JW01
	M413507	Jumper Configuration Assembly	Models ATE50FWP431AW01, ATG50FWP301AW01, FTE50FSP301NW01, FTE50FSP301NW10, FTG50FSP301NW10, LTE50FGP541NW23, LTKA6A*N4350, LTL50FGP541NW23, LTSA7A*N3000, LTSA7A*N3300, LTSA7A*N4350, LTSA7A*N4351, LTSA9A*N3000, LTSA9A*N3060 and LTSA9A*N3061
7	803527P	Transformer	Models ATE50FWP431AW01, ATG50FWP301AW01, FTE50FSP301NW01, FTE50FSP301NW10, FTG50FSP301NW10, LTE50FGP541NW23, LTG50FSP081JW01, LTKA6A*N4350, LTL50FGP541NW23, LTSA7A*N3000, LTSA7A*N3300, LTSA7A*N4350, LTSA7A*N4351, LTSA9A*N3000, LTSA9A*N3060 and LTSA9A*N3061
	210018P	Transformer	All other models
8	802299P	Pressure Switch	
9	M402542	Snap Bushing	
10	804670	Control Assembly	Models ATE50FWP431AW01 and ATG50FWP301AW01 starting Serial No. beginning 1207
	802523P	Control Assembly	Models ATE50FWP431AW01 and ATG50FWP301AW01 through Serial No. beginning 1207; All other models
	804212	Jumper Configuration Assembly	Attaches to H7 on control; Models ATE50FWP431AW01 and ATG50FWP301AW01 starting Serial No. beginning 1207
	801333	Jumper Assembly	Attaches to H7 on control; Models ATE50FWP431AW01 and ATG50FWP301AW01 through Serial No. beginning 1207; All other models
11	501524	Screw	
12	430497	Screw	
13	801058	Rear Control Cabinet	
14	800915W	Right Control Cabinet Side	White
	800915Q	Right Control Cabinet Side	Bisque
15	70030501	Expansion Clip	
16	800931	Nut	
17	800900WP	Left Control Cabinet Side	White
	800900QP	Left Control Cabinet Side	Bisque
18	36985	Hose Clip	

* Add Letter To Designate Color. Q - Bisque W - White

Control Panel and Controls



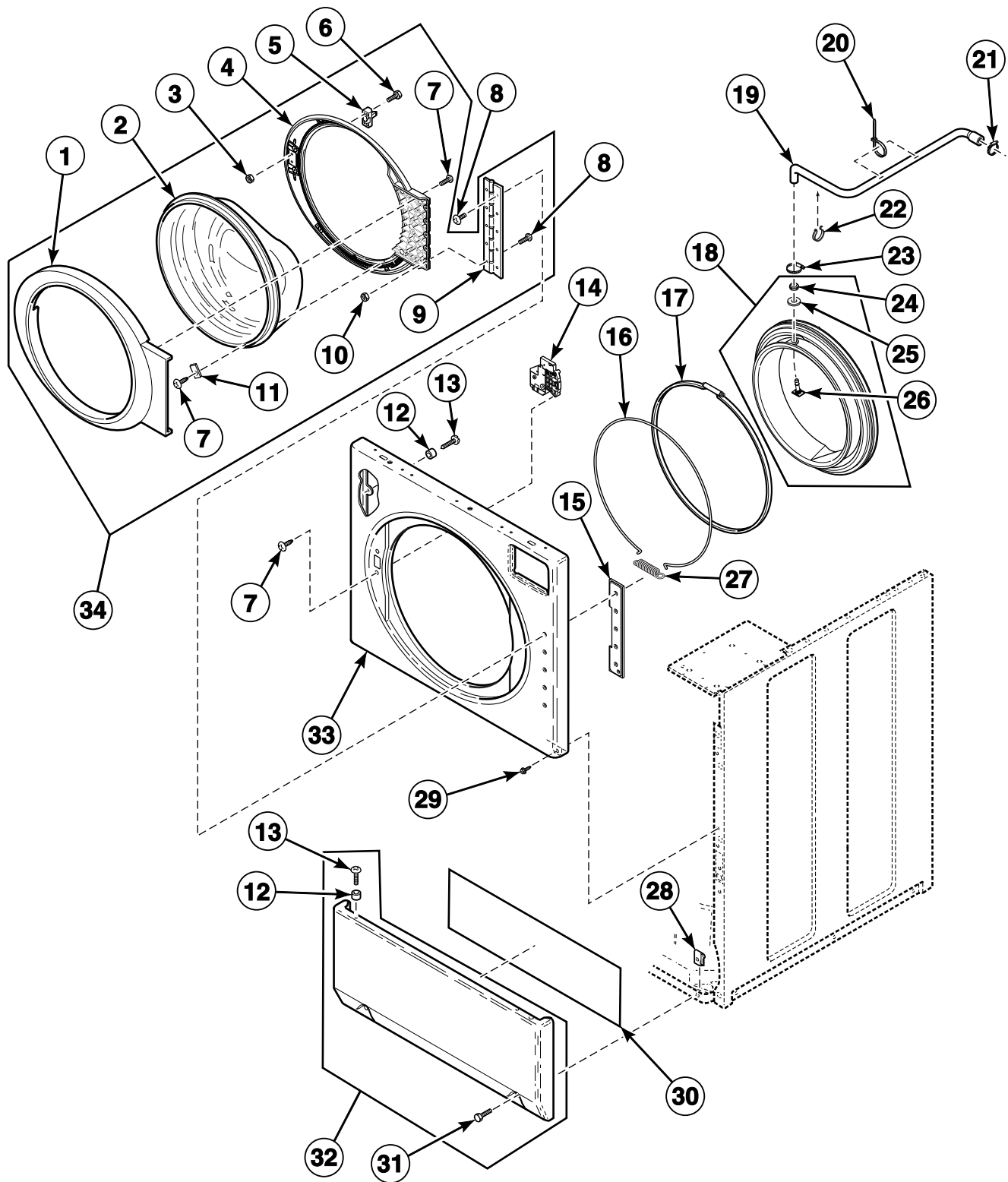
SWD1218P_802847

Control Panel and Controls

REF	PART NO.	DESCRIPTION	COMMENTS
1	501086	Screw	
2	35117	Temperature Switch	Washer; Model LTKA6A*N4350
	687542	Temperature Switch	Washer; All other models
3	513505	Fabric Selector Switch	Dryer
4	511277	Resistor Assembly	Use with 505797 Timer; Models BTE50FSP171TW01, BTE50FSP281CW01, LTSA7A*N, LTSA7A*N1500, LTSA7A*N2989, LTUA7A*N, LTUA7A*N2802, LTZA7A*N, LTZA7A*N2802 and UTE50FSP171TW08
5	505797P	Timer and Harness Kit	Models BTE50FSP171TW01, BTE50FSP281CW01, LTSA7A*N, LTSA7A*N1500, LTSA7A*N2989, LTUA7A*N, LTUA7A*N2802, LTZA7A*N, LTZA7A*N2802 and UTE50FSP171TW08
	505794P	Timer	Models BTG50FSP091CW01, BTG50FSP111TW01, LTG50FSP081JW01, LTSA9A*N, LTSA9A*N1180, LTUA9A*N, LTZA9A*N, LTZA9A*N0902 and UTG50FSP111TW08
	505795P	Timer	Models ATE50FWP431AW01, ATG50FWP301AW01, FTE50FSP301NW01, FTE50FSP301NW10, FTG50FSP301NW10, LTSA7A*N3000, LTSA7A*N4350, LTSA7A*N4351, LTSA9A*N3000, LTSA9A*N3060 and LTSA9A*N3061
	505796P	Timer	Models LTE50FGP541NW23, LTL50FGP541NW23 and LTSA7A*N3300
	502964P	Timer	Model LTKA6A*N4350
6	801777	Control Cabinet Bottom	
7	70030501	Expansion Clip	
8	800930	Screw	
9	803118P	Timer Knob Assembly	Models ATE50FWP431AW01 and ATG50FWP301AW01
	512117W	Timer Knob Assembly	White; All other models
	512117Q	Timer Knob Assembly	Bisque; All other models
10	803119P	Control Knob Assembly	Models ATE50FWP431AW01 and ATG50FWP301AW01
	36701W	Knob Assembly	White; All other models
	36701Q	Knob Assembly	Bisque; All other models
11	800922	Domed Label	Models LTZA7A*N, LTZA7A*N2802, LTZA9A*N and LTZA9A*N0902
	800921	Domed Label	Models LTE50FGP541NW23, LTG50FSP081JW01, LTL50FGP541NW23, LTSA7A*N, LTSA7A*N1500, LTSA7A*N2989, LTSA7A*N3000, LTSA7A*N3300, LTSA7A*N4350, LTSA7A*N4351, LTSA9A*N, LTSA9A*N1180, LTSA9A*N3000, LTSA9A*N3060 and LTSA9A*N3061
	800923	Domed Label	Models LTUA7A*N, LTUA7A*N2802, LTUA9A*N, UTE50FSP171TW08 and UTG50FSP111TW08
	202128	Domed Label	Models BTE50FSP171TW01, BTE50FSP281CW01, BTG50FSP091CW01 and BTG50FSP111TW01
12	38424W	Rocker Switch	White; Extra rinse
	38424Q	Rocker Switch	Bisque; Extra rinse
13	801434W	Push-to-Start Switch	White
	801434Q	Push-to-Start Switch	Bisque
14	802099	Graphic Overlay	Model LTKA6A*N4350
	803362	Graphic Overlay	Models ATE50FWP431AW01 and ATG50FWP301AW01
	801142	Graphic Overlay	All other models
15	802101W	Control Panel Assembly	
16	801431	Light	Green
17	801432	Light	Red; Model LTKA6A*N4350
18	801240	Cycle Switch	Washer

* Add Letter To Designate Color. Q - Bisque W - White

Washer Front Panel, Door Assembly and Door Seal

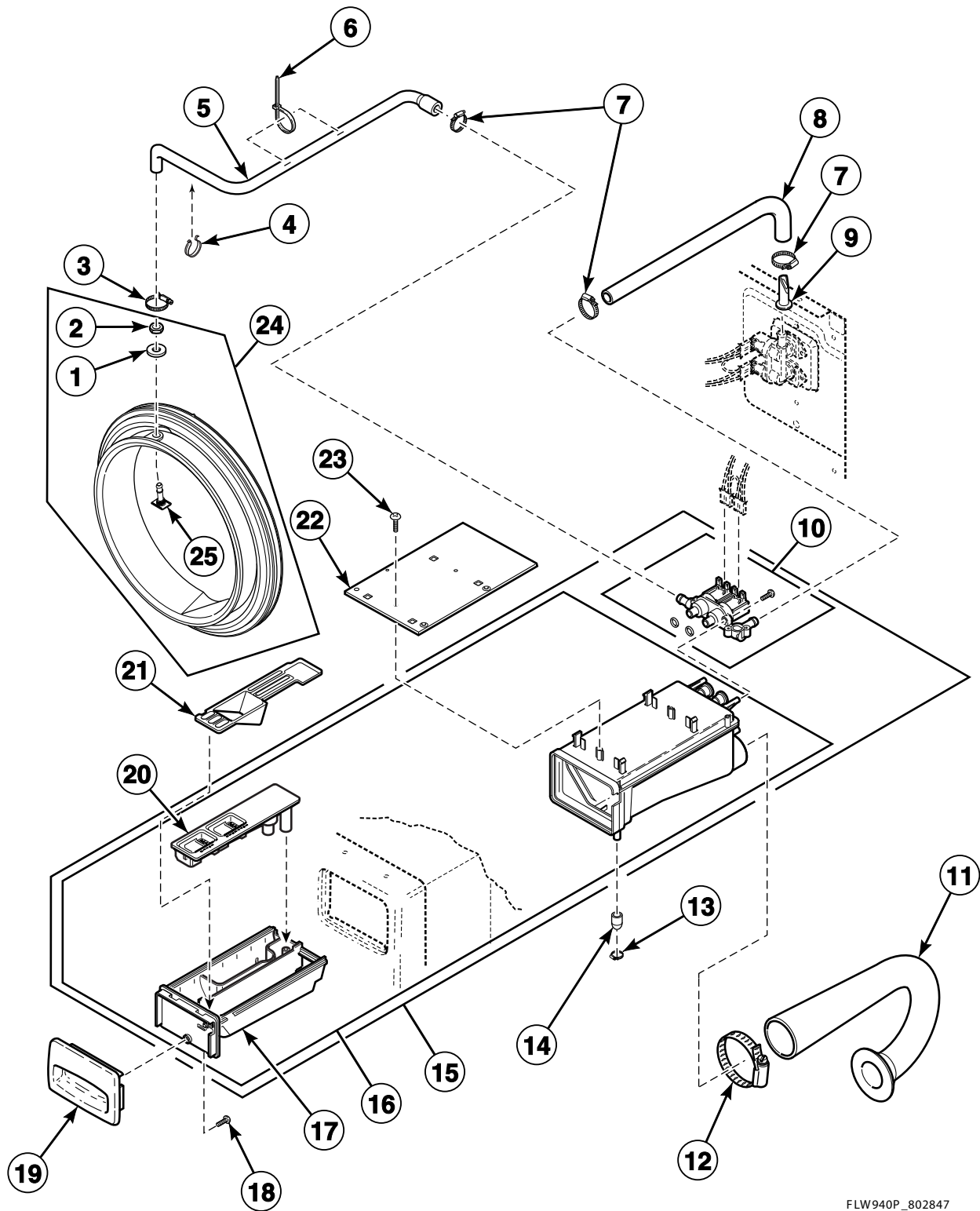


FLW938P_802847

Washer Front Panel, Door Assembly and Door Seal

REF	PART NO.	DESCRIPTION	COMMENTS
1	802616WP	Outer Bezel Assembly	Models ATE50FWP431AW01 and ATG50FWP301AW01
	802313WP	Outer Door Bezel Kit	White; All other models
	802313QP	Outer Door Bezel Kit	Bisque; All other models
2	802695P	Door Glass	
3	685846	Nut	
4	802307P	Inner Door Bezel Kit	
5	802803	Door Catch Assembly	
6	801993	Screw	
7	800548	Screw	
8	801019	Screw	
9	802934	Door Hinge	
10	23951	Nut	
11	802700	Glass Mounting Clip	
12	56079	Panel Locator	
13	39733	Screw	
14	802317P	Door Latch/Switch Assembly	
15	802206	Hinge Plate	
16	802283	Wire Clamp Ring	
17	802281	Hose Clamp	Door seal to outer tub front
18	802866P	Door Seal Assembly	Black; Includes items 24-26
	802830P	Door Seal Kit	Gray; Includes items 24-26
19	802256	Dispenser-to-Door Seal Hose	
20	55881	Harness Strap	
21	802164	Hose Clamp	
22	687500	Wire Clip	
23	802698	Hose Clamp	
24	802292	Nut	
25	802293	Washer	
26	802291	Boot Nozzle	
27	802285	Extension Spring	
28	36020	Nut	
29	503661	Screw	
30	685368	Access Panel Damper	
31	801045	Screw	
32	514250W	Access Panel Assembly	White
	514250Q	Access Panel Assembly	Bisque
33	802277WP	Front Panel	White
	802277QP	Front Panel	Bisque
34	802617WP	Door Assembly	Includes items 1-11; Models ATE50FWP431AW01 and ATG50FWP301AW01
	802368WP	Door Assembly	White; Includes items 1-11; All other models
	802368QP	Door Assembly	Bisque; Includes items 1-11; All other models

Dispenser Assembly



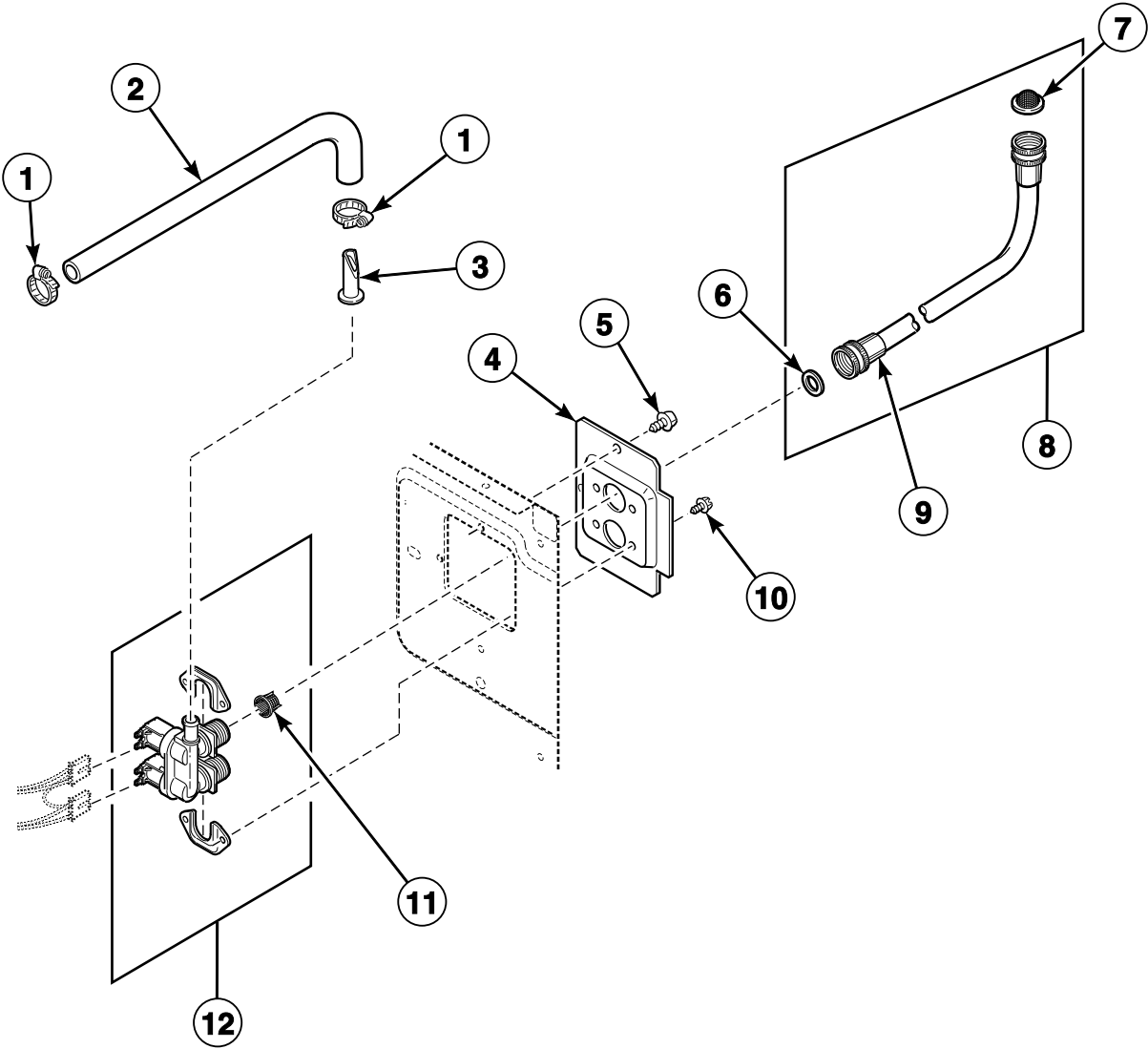
FLW940P_802847

Dispenser Assembly

REF	PART NO.	DESCRIPTION	COMMENTS
1	802293	Washer	
2	802292	Nut	
3	802698	Hose Clamp	
4	687500	Wire Clip	
5	802256	Dispenser-to-Door Seal Hose	
6	55881	Harness Strap	
7	802164	Hose Clamp	
8	801464	Valve-to-Dispenser Inlet Hose	
9	34500	Backflow Preventer	
10	801836P	Valve Kit	Models ATE50FWP431AW01, ATG50FWP301AW01, FTE50FSP301NW01, FTE50FSP301NW10, FTG50FSP301NW10, LTE50FGP541NW23, LTKA6A*N4350, LTL50FGP541NW23, LTSA7A*N3000, LTSA7A*N3300, LTSA7A*N4350, LTSA7A*N4351, LTSA9A*N3000, LTSA9A*N3060 and LTSA9A*N3061
	685766P	Valve Kit	All other models
11	800331	Dispenser-to-Tub Hose	
12	685725	Hose Clamp	
13	F200206	Hose Clamp	
14	801746	Cap	
15	801090P	Dispenser	Includes items 10, 16 and 20; Models ATE50FWP431AW01, ATG50FWP301AW01, FTE50FSP301NW01, FTE50FSP301NW10, FTG50FSP301NW10, LTE50FGP541NW23, LTKA6A*N4350, LTL50FGP541NW23, LTSA7A*N3000, LTSA7A*N3300, LTSA7A*N4350, LTSA7A*N4351, LTSA9A*N3000, LTSA9A*N3060 and LTSA9A*N3061
	685756P	Dispenser	Includes items 10, 16 and 20; All other models
16	801476P	Dispenser Assembly	Includes items 17 and 20
17	685757P	Dispenser Drawer	
18	800548	Screw	
19	685715WP	Dispenser Drawer Front	White
	685715QP	Dispenser Drawer Front	Bisque
20	685716	Insert	
21	800899	Detergent Cover	
22	801024	Dispenser Plate	
23	801001	Screw	
24	802866P	Door Seal Assembly	Black; Includes items 1, 2 and 25
	802830P	Door Seal Kit	Gray; Includes items 1, 2 and 25
25	802291	Boot Nozzle	

* Add Letter To Designate Color. Q - Bisque W - White

Mixing Valve, Valve-to-Dispenser Inlet Hose and Fill Hose



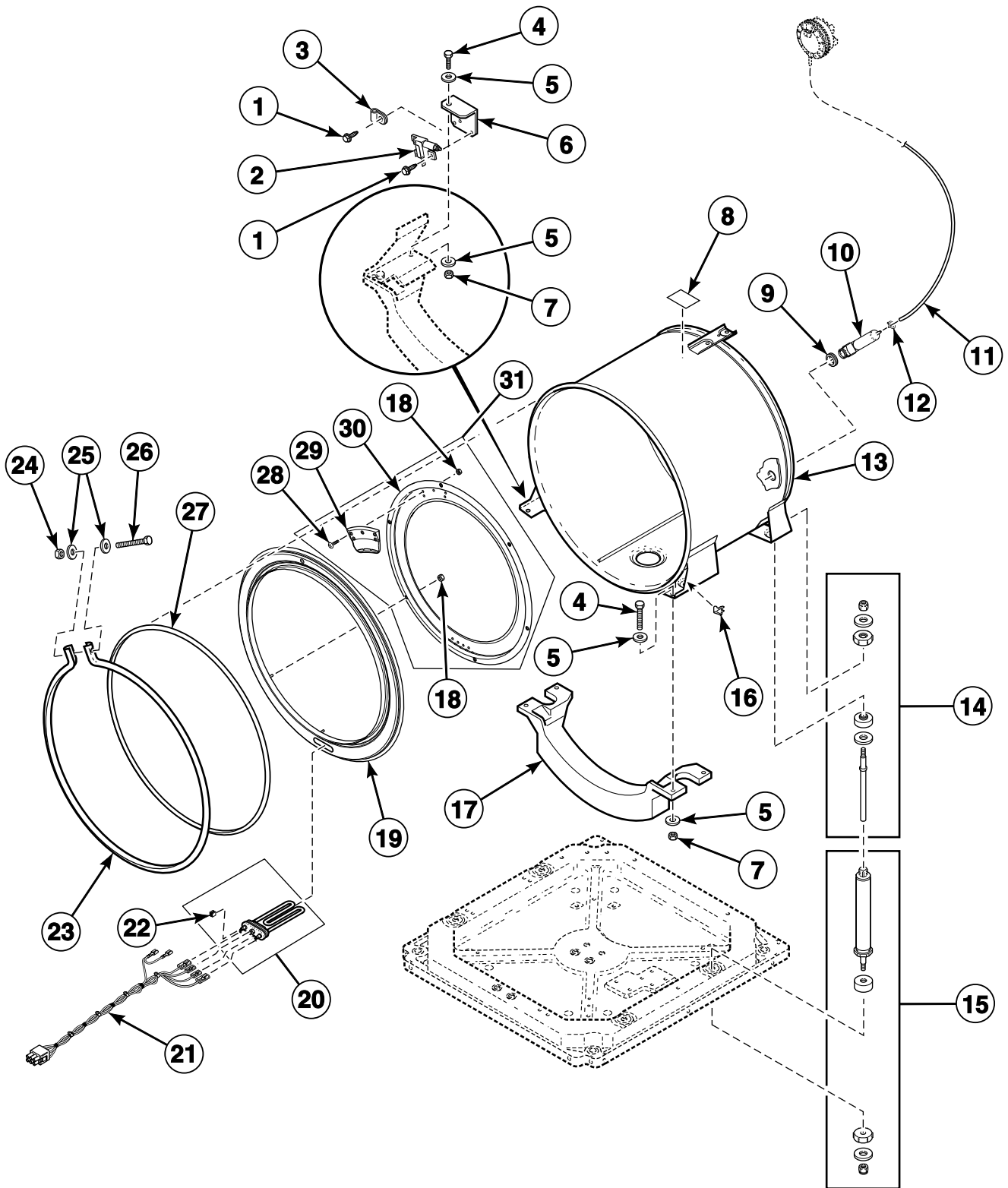
FLW881P_802847

Mixing Valve, Valve-to-Dispenser Inlet Hose and Fill Hose

REF	PART NO.	DESCRIPTION	COMMENTS
1	802164	Hose Clamp	
2	801464	Valve-to-Dispenser Inlet Hose	
3	34500	Backflow Preventer	
4	800323	Mixing Valve Plate	
5	503661	Screw	
6	20290	Washer	
7	803615	Washer	Filter screen
	802254	Washer	Flow restrictor; Water pressure reducer; Available for water pressure up to but not exceeding 120 psi
8	F200116	Water Hose	5 feet; Hose is equipped with 2 standard hose couplings; Includes 1 each of items 6 and 7
	38349P	Fill Hose Kit	5 feet; Hose is equipped with 1 metric and 1 standard hose coupling; Includes 2 of item 6
9	20617	Fill Hose	8 feet; Hose is equipped with 2 standard hose couplings
	20618	Fill Hose	10 feet; Hose is equipped with 2 standard hose couplings
	37380	Fill Hose	8 feet; Hose is equipped with 1 metric and 1 standard hose coupling
	37381	Fill Hose	10 feet; Hose is equipped with 1 metric and 1 standard hose coupling
10	501086	Screw	
11	802926	Mixing Valve Screen	
12	802222P	Mixing Valve	Models ATE50FWP431AW01, ATG50FWP301AW01, FTE50FSP301NW01, FTE50FSP301NW10, FTG50FSP301NW10, LTE50FGP541NW23, LTKA6A*N4350, LTL50FGP541NW23, LTSA7A*N3000, LTSA7A*N3300, LTSA7A*N4350, LTSA7A*N4351, LTSA9A*N3000, LTSA9A*N3060 and LTSA9A*N3061
	802220P	Mixing Valve	All other models

* Add Letter To Designate Color. Q - Bisque W - White

Outer Tub, Front and Clamp Ring



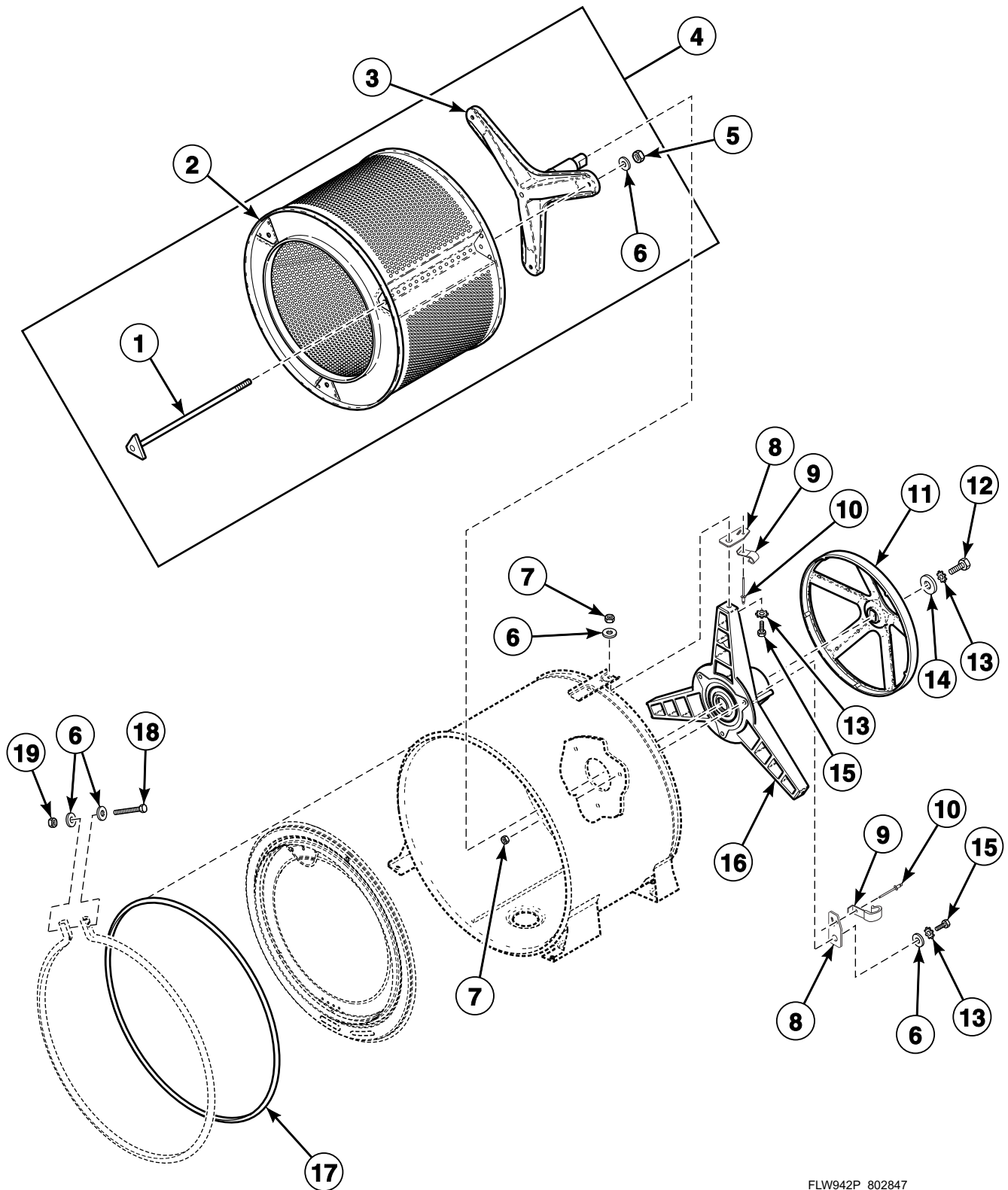
SWD1254P_802847

Outer Tub, Front and Clamp Ring

REF	PART NO.	DESCRIPTION	COMMENTS
1	503661	Screw	
2	801006	Out-of-Balance Switch Assembly	Models through Serial No. 1201004551
	803415	Out-of-Balance Switch Assembly	Models starting Serial No. 1201004552
3	800811	Wire Clamp	
4	800461	Screw	
5	M400081	Washer	
6	800663	Switch Mounting Bracket	Models through Serial No. 1201004551
	803388	Switch Mounting Bracket	Models starting Serial No. 1201004552
7	800452	Nut	
8	500314	Warning Label	Models BTE50FSP281CW01, BTG50FSP091CW01, LTUA7A*N2802, LTZA7A*N2802 and LTZA9A*N0902
	F8211201	Electrical Shock Label	Models FTE50FSP301NW01, FTE50FSP301NW10, FTG50FSP301NW10, LTSA7A*N3000, LTSA7A*N3300 and LTSA9A*N3000
	F8211301	Pinched Fingers Label	Models FTE50FSP301NW01, FTE50FSP301NW10, FTG50FSP301NW10, LTSA7A*N3000, LTSA7A*N3300 and LTSA9A*N3000
	500049	Warning Label	All other models
9	29175	Grommet	
10	30907	Pressure Bulb	
11	800648P	Tubing	
12	39282	Hose Clamp	
13	801291	Outer Tub Assembly	Model LTKA6A*N4350
	801081P	Outer Tub Assembly	All other models
14	800622P	Tub Shock Absorber Kit	Upper
15	802881P	Base Shock Absorber Kit	Lower; Must replace all four
16	00161	Grounding Clip	
17	800205	Ballast Weight	
18	802343	Nut	
19	802259	Tub Front Assembly	Model LTKA6A*N4350
	802258	Tub Front Assembly	All other models
20	803557P	Heating Element Kit	Model LTKA6A*N4350; Includes item 22
21	802322P	Heater Harness Assembly	Model LTKA6A*N4350
22	803256	Thermistor	Model LTKA6A*N4350
23	800312	Clamp Ring	
24	F430218	Nut	
25	800457	Washer	
26	800462	Screw	
27	800432P	Tub Front Seal	
28	802596	Screw	
29	804174P	Clothes Guard Deflector	
	804482	Clothes Guard Deflector	Heavy duty
30	803537	Clothes Guard	
31	804560P	Clothes Guard and Deflector Kit	Includes items 7, 18 and 25-30

* Add Letter To Designate Color. Q - Bisque W - White

Inner Basket, Trunnion, Bearing Housing and Pulley

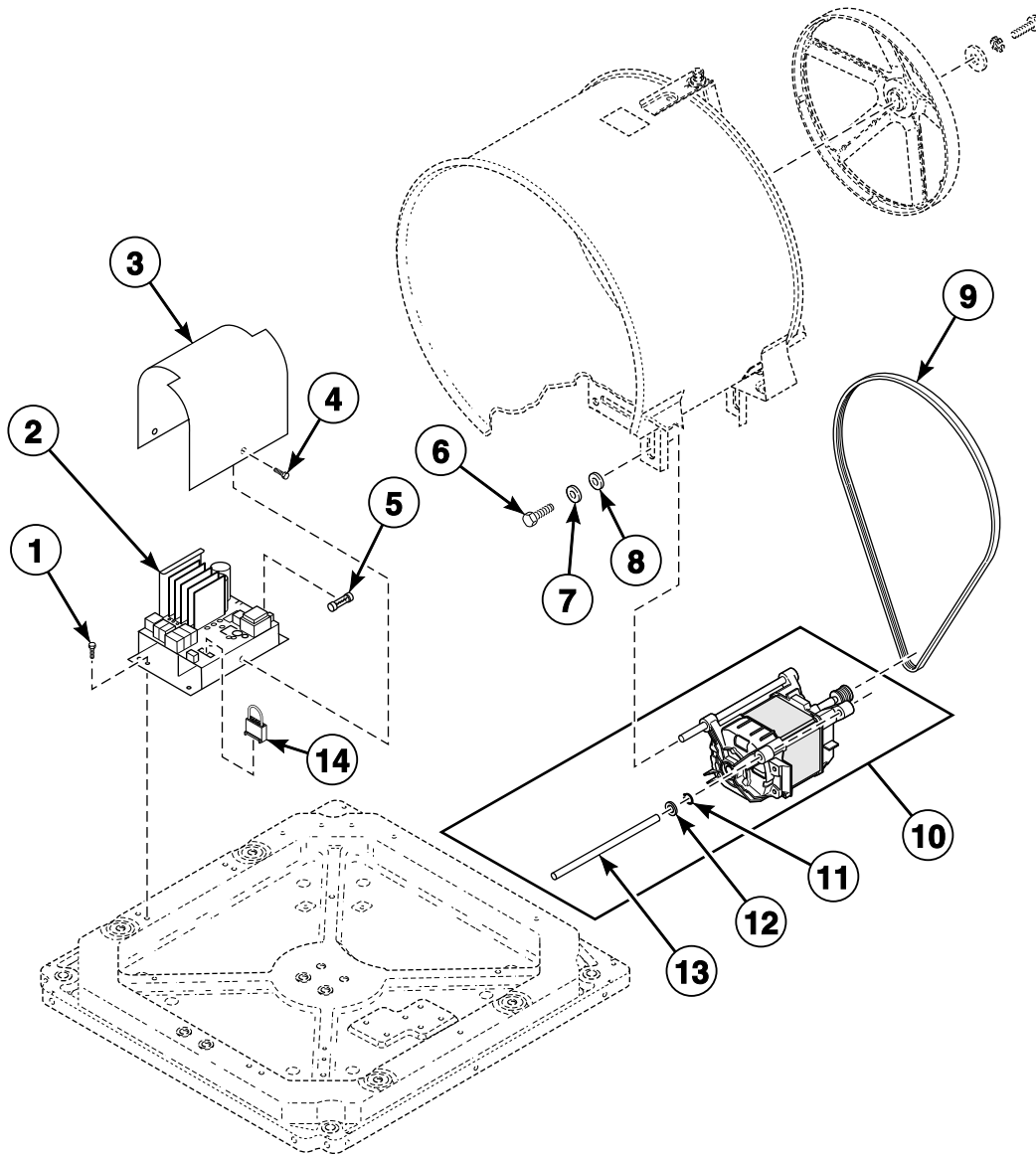


FLW942P_802847

Inner Basket, Trunnion, Bearing Housing and Pulley

REF	PART NO.	DESCRIPTION	COMMENTS
	27604P	Anti-Seize Compound	Pulley to inner basket shaft
	838P3	Hardware Kit	Includes (8) of item 6, (6) of item 13, (6) of item 10, (1) each of items 12, 14, 17, 18, 19 and 27604P Anti-Seize Compound
	RB160001	Bearing Kit	
1	800666	Tension Rod Assembly	
2	803008P	Inner Basket Assembly	
3	800749P	Trunnion Shaft and Hardware Kit	Includes (3) each of items 1, 5, 6, and 838P3 Hardware Kit
4	804322	Inner Basket Assembly	Models LTSA7A*N4351 and LTSA9A*N3061
	802365P	Inner Basket Assembly	All other models
5	803017	Nut	
6	800457	Washer	
7	800452	Nut	
8	800552	Hose Mounting Plate	
9	800553	Hose Clip	
10	685847	Pop Rivet	
11	800866	Driven Pulley	
12	685831	Screw	Left hand thread
13	M403958	Washer	
14	800464	Washer	
15	M400043	Screw	
16	800428P	Bearing Housing Kit	Includes 838P3 Hardware Kit
17	800432P	Tub Front Seal	
18	800462	Screw	
19	F430218	Nut	

Washer Motor and Belt



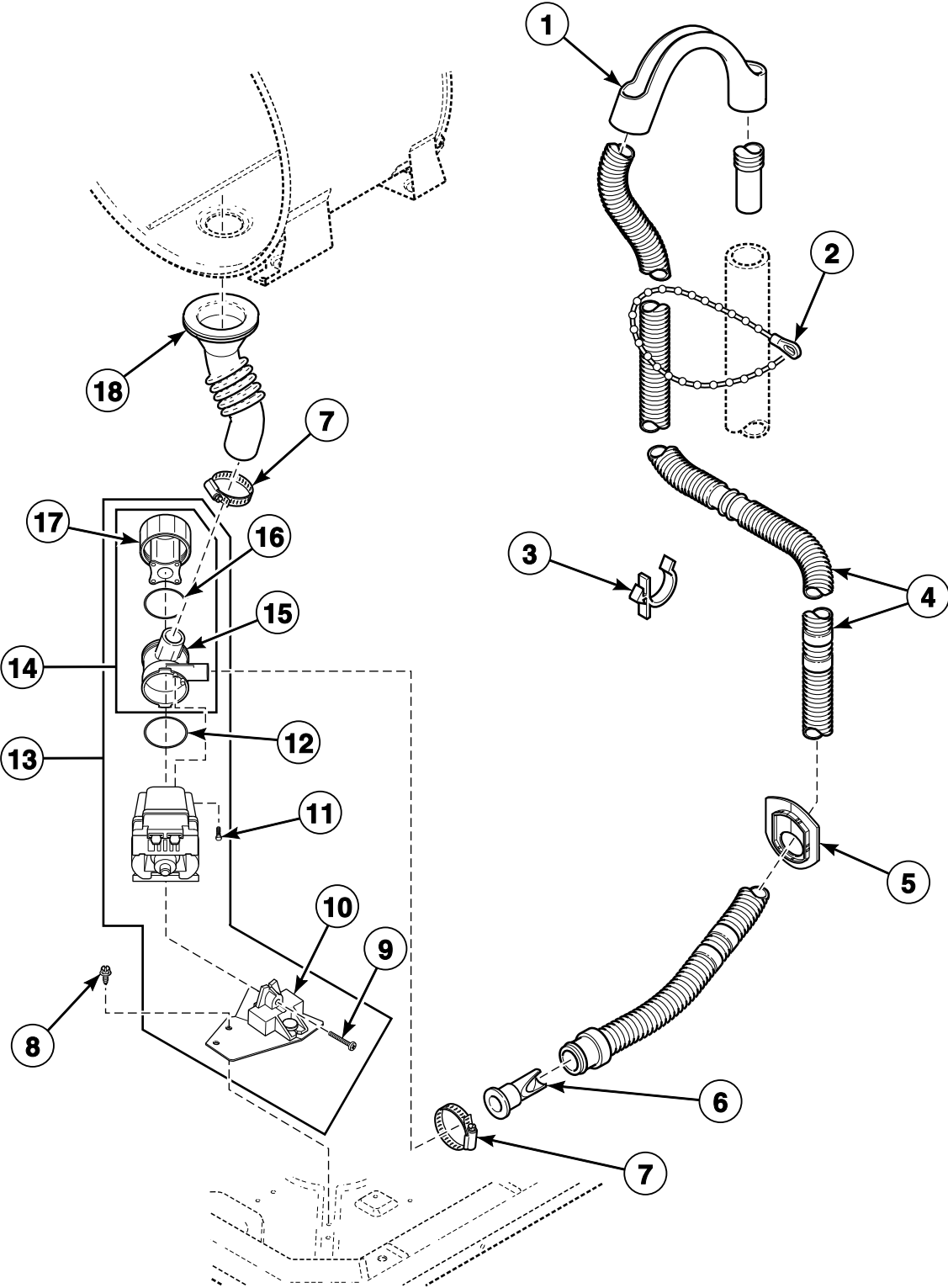
FLW1022P_802847

Washer Motor and Belt

REF	PART NO.	DESCRIPTION	COMMENTS
1	503661	Screw	
2	803255P	Inverter Control Assembly	240 Volt; Models ATE50FWP431AW01, ATG50FWP301AW01, FTE50FSP301NW01, FTE50FSP301NW10, FTG50FSP301NW10, LTE50FGP541NW23, LTKA6A*N4350, LTL50FGP541NW23, LTSA7A*N3000, LTSA7A*N3300, LTSA7A*N4350, LTSA7A*N4351, LTSA9A*N3000, LTSA9A*N3060 and LTSA9A*N3061
	803254P	Inverter Control Assembly	120 Volt; All other models
3	801061	Control Shield	
4	501524	Screw	
5	801755	Fuse	10 Amp; Slow blow
6	M400057	Screw	
7	02834	Washer	
8	M400080	Washer	
9	800319P	Drive Belt	
10	801684P	Motor and Rod Assembly Kit	Includes 2 each of items 11-13 and wire ties
11	23748	Retaining Ring	
12	52549	Washer	
13	801062	Motor Mount Rod	
14	513316	Jumper Harness	Use to limit spin RPM on inverter controls starting Serial No. 0911014603; 240 Volt; Models ATE50FWP431AW01, ATG50FWP301AW01, FTE50FSP301NW01, FTE50FSP301NW10, FTG50FSP301NW10, LTE50FGP541NW23, LTKA6A*N4350, LTL50FGP541NW23, LTSA7A*N3000, LTSA7A*N3300, LTSA7A*N4350, LTSA7A*N4351, LTSA9A*N3000, LTSA9A*N3060 and LTSA9A*N3061
	513268	Jumper Harness	Use to limit spin RPM on inverter controls starting Serial No. 0911014603; 120 Volt; All other models

* Add Letter To Designate Color. Q - Bisque W - White

Drain Hose and Pump



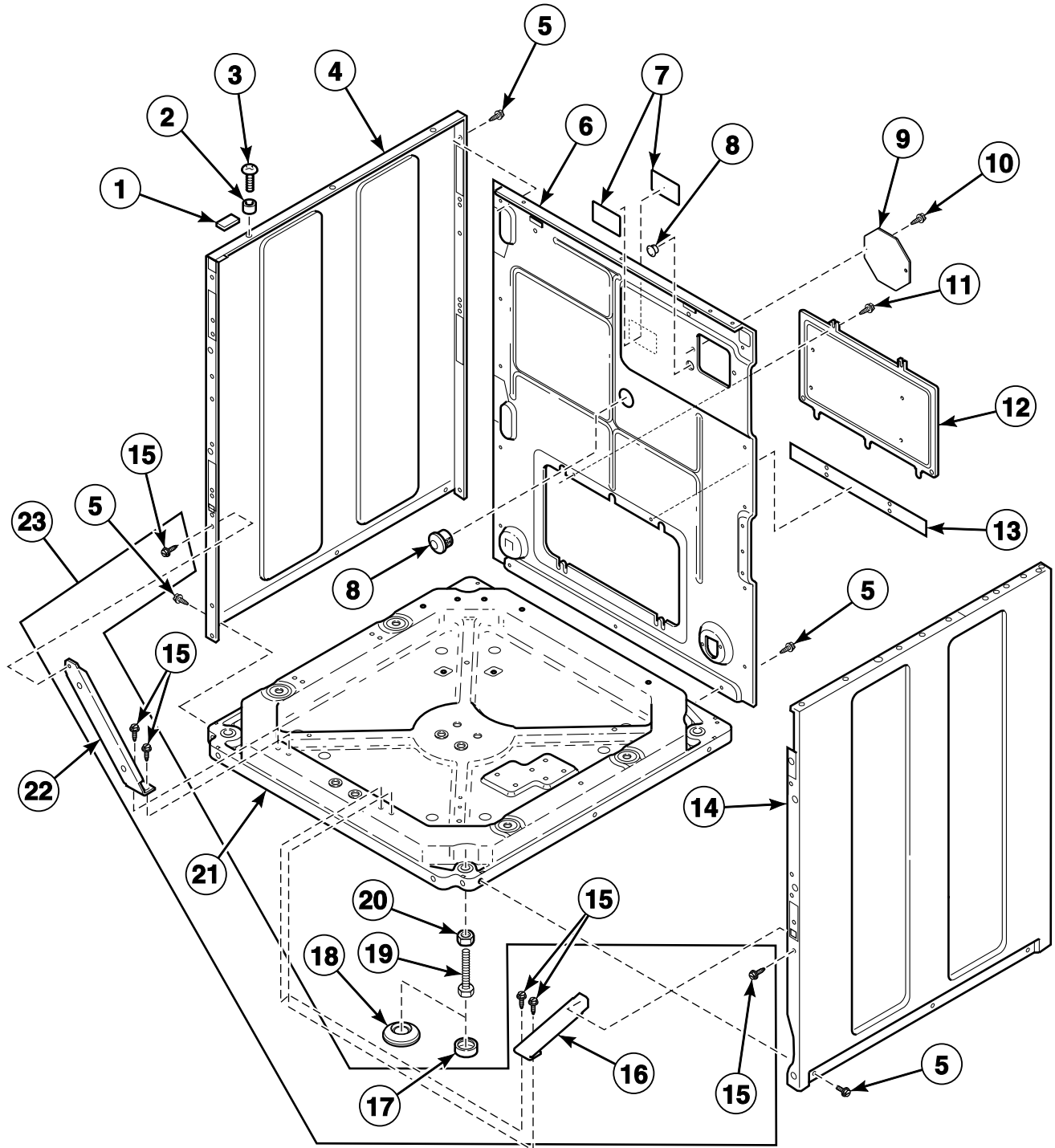
FLW951P_802847

Drain Hose and Pump

REF	PART NO.	DESCRIPTION	COMMENTS
1	33615	Drain Hose Sleeve	
2	33489	Standpipe Strap	
3	36014	Retainer Clip	
4	685730	Drain Hose	
5	32219	Strain Relief	
6	800310	Backflow Preventer	
7	F200204	Hose Clamp	
8	503661	Screw	
9	802430	Screw	
10	802626	Pump Mount Bracket	
11	802431	Screw	
12	802429P	O-Ring	
13	802625P	Drain Pump	Models LTE50FGP541NW23, LTL50FGP541NW23 and LTSA7A*N3300
	802624P	Drain Pump	Models ATE50FWP431AW01, ATG50FWP301AW01, FTE50FSP301NW01, FTE50FSP301NW10, FTG50FSP301NW10, LTKA6A*N4350, LTSA7A*N3000, LTSA7A*N4350, LTSA7A*N4351, LTSA9A*N3000, LTSA9A*N3060 and LTSA9A*N3061
	802623P	Drain Pump	All other models
14	802434P	Pump Housing Assembly	Includes items 15-17
15	802428	Pump Housing	
16	802427	Gasket	
17	802426P	Lid Assembly	Includes filter
18	800317	Tub-to-Pump Hose	
	27615P	Sealant	Tub-to-pump hose to outer tub
	985P3	Drain Kit	Includes 803344 Tub-to-Pump Hose with Trap, 90554 Hose Clamp, 803400 Cap and 27615P Sealant

* Add Letter To Designate Color. Q - Bisque W - White

Washer Base, Panels and Rear Panel



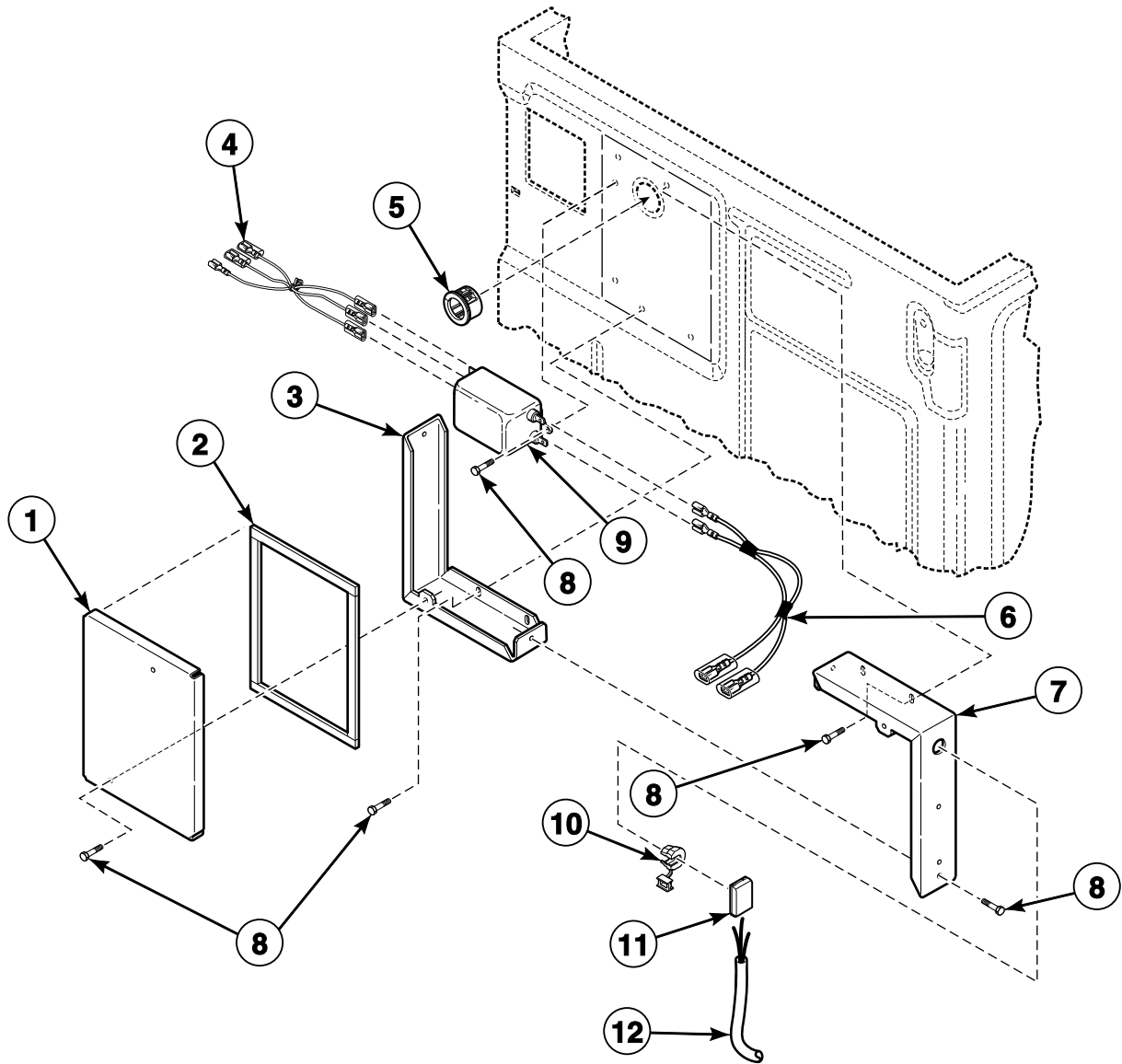
SWD1206P_802847

Washer Base, Panels and Rear Panel

REF	PART NO.	DESCRIPTION	COMMENTS
1	36226	Bumper Pad	
2	56079	Panel Locator	
3	39733	Screw	
4	800004WP	Cabinet Panel Kit	White; Left; Includes corner gusset with hardware
	800004QP	Cabinet Panel Kit	Bisque; Left; Includes corner gusset with hardware
5	503661	Screw	
6	800010P	Rear Panel	
7	685928	Screw Label	Left hand thread
8	M412154	Hole Plug	
9	61203	Thermostat Opening Cover	Model LTSA7A*N2989
10	M405188	Screw	Model LTSA7A*N2989
11	430497	Screw	
12	800011	Rear Access Panel	
13	801702	Motor Access Hole Edging	
14	800005WP	Side Panel Kit	White; Right; Includes 801024 Dispenser Plate with hardware
	800005QP	Side Panel Kit	Bisque; Right; Includes 801024 Dispenser Plate with hardware
15	31645	Screw	
16	801492	Cabinet Brace	Right
17	34318	Rubber Foot	
18	802844P	Anchor Floor Mount Assembly	Includes 2 rubber discs with adhesive backing
19	34319	Leveling Leg	
20	21899	Nut	
21	802245	Base Assembly	
22	801491	Cabinet Brace	Left
23	918P3	Brace Kit	Includes items 15, 16 and 22

Junction Box

Models ATE50FWP431AW01, ATG50FWP301AW01, FTE50FSP301NW01, FTE50FSP301NW10, FTG50FSP301NW10, LTE50FGP541NW23, LTG50FSP081JW01, LTKA6A*N4350, LTL50FGP541NW23, LTSA7A*N3000, LTSA7A*N3300, LTSA7A*N4350, LTSA7A*N4351, LTSA9A*N3000, LTSA9A*N3060 and LTSA9A*N3061



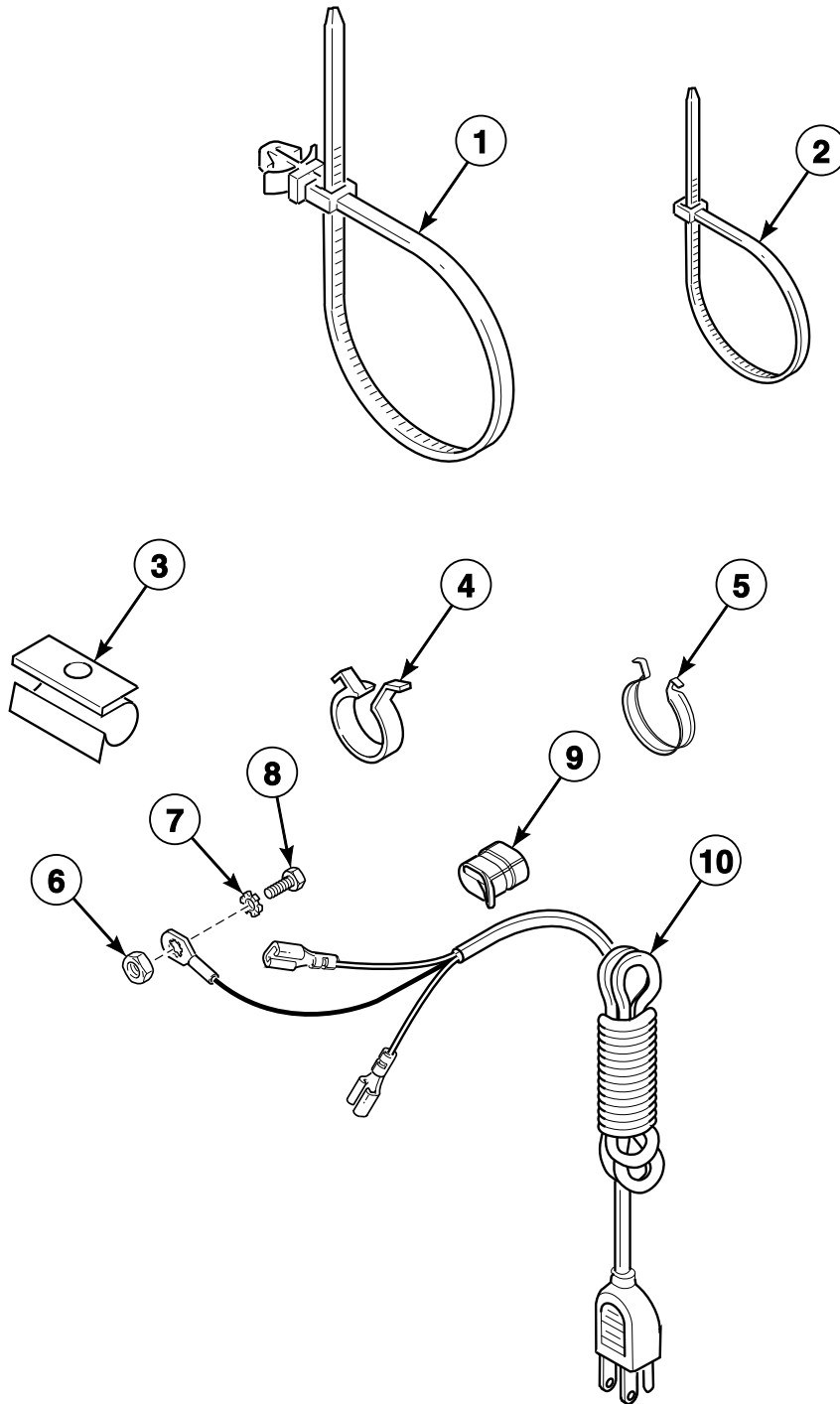
FLW1693P_802847

Junction Box

REF	PART NO.	DESCRIPTION	COMMENTS
1	801404	Junction Box Cover	
2	801425P	Junction Box Seal	4 required
3	801433	Lower Junction Box	
4	801420	Wire Harness Assembly	Line filter to power cord terminal block; All models except LTG50FSP081JW01
5	M402542	Snap Bushing	All models except LTG50FSP081JW01
6	802013	Wire Harness Assembly	Line filter to control harness; Model LTG50FSP081JW01
	801421	Wire Harness Assembly	Line filter to control harness; All other models
7	804360	Junction Box	Model LTG50FSP081JW01
	801403	Junction Box	All other models
8	503661	Screw	
9	201058	Line Filter	
10	60298	Strain Relief	Model LTG50FSP081JW01
11	39922	Cable Connection Box	All models except LTG50FSP081JW01
12	39931	Power Cord Assembly	Models ATE50FWP431AW01, ATG50FWP301AW01, LTSA7A*N4350, LTSA7A*N4351, LTSA9A*N3060 and LTSA9A*N3061; Includes plug
	201574	Lead-In Cord	Model LTKA6A*N4350
	801660	Power Cord Assembly	Models LTE50FGP541NW23 and LTL50FGP541NW23
	801450	Power Cord Assembly	Models FTE50FSP301NW01, FTE50FSP301NW10, FTG50FSP301NW10, LTSA7A*N3000, LTSA7A*N3300 and LTSA9A*N3000
	202624	Power Cord Assembly	Model LTG50FSP081JW01

* Add Letter To Designate Color. Q - Bisque W - White

Wire Ties and Harness Clips

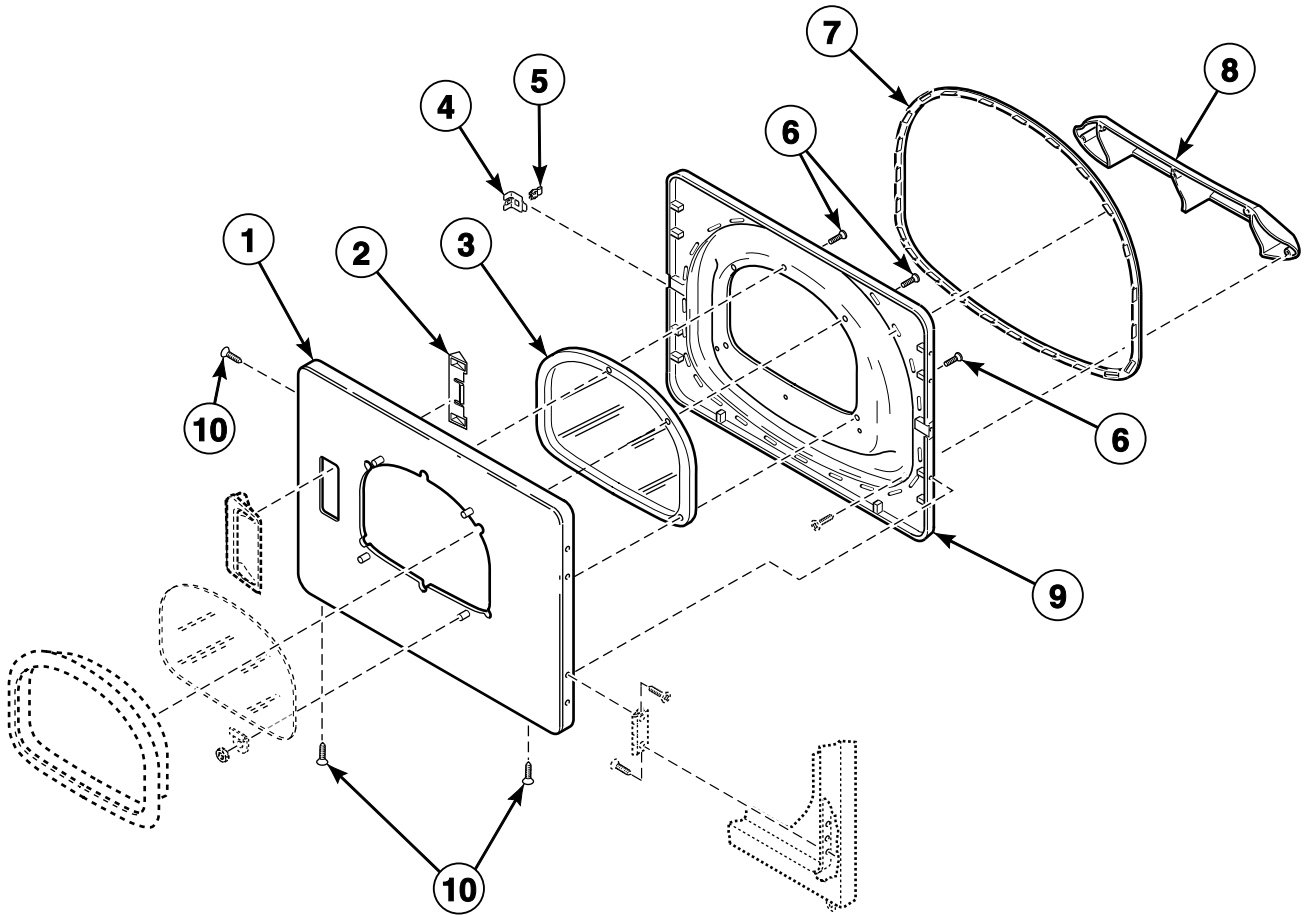


FLW823P_802847

Wire Ties and Harness Clips

REF	PART NO.	DESCRIPTION	COMMENTS
1	38663	Wire Tie	
2	55881	Harness Strap	
3	36985	Hose Clip	
4	504034	Wire Clip	Small
5	687500	Wire Clip	Large
6	03673	Nut	Models BTE50FSP171TW01, BTG50FSP111TW01, LTSA7A*N, LTSA7A*N1500, LTSA9A*N, LTUA7A*N, LTUA9A*N, LTZA7A*N, LTZA9A*N, UTE50FSP171TW08 and UTG50FSP111TW08
7	03815	Washer	Models BTE50FSP171TW01, BTG50FSP111TW01, LTSA7A*N, LTSA7A*N1500, LTSA9A*N, LTUA7A*N, LTUA9A*N, LTZA7A*N, LTZA9A*N, UTE50FSP171TW08 and UTG50FSP111TW08
8	685837	Screw	Models BTE50FSP171TW01, BTG50FSP111TW01, LTSA7A*N, LTSA7A*N1500, LTSA9A*N, LTUA7A*N, LTUA9A*N, LTZA7A*N, LTZA9A*N, UTE50FSP171TW08 and UTG50FSP111TW08
9	38384	Strain Relief	Models BTE50FSP171TW01, BTG50FSP111TW01, LTSA7A*N, LTSA7A*N1500, LTSA9A*N, LTUA7A*N, LTUA9A*N, LTZA7A*N, LTZA9A*N, UTE50FSP171TW08 and UTG50FSP111TW08
10	34458	Lead-In Cord	Models BTE50FSP171TW01, BTG50FSP111TW01, LTSA7A*N, LTSA7A*N1500, LTSA9A*N, LTUA7A*N, LTUA9A*N, LTZA7A*N, LTZA9A*N, UTE50FSP171TW08 and UTG50FSP111TW08

Dryer Loading Door with Window (Drawing 1 of 2)

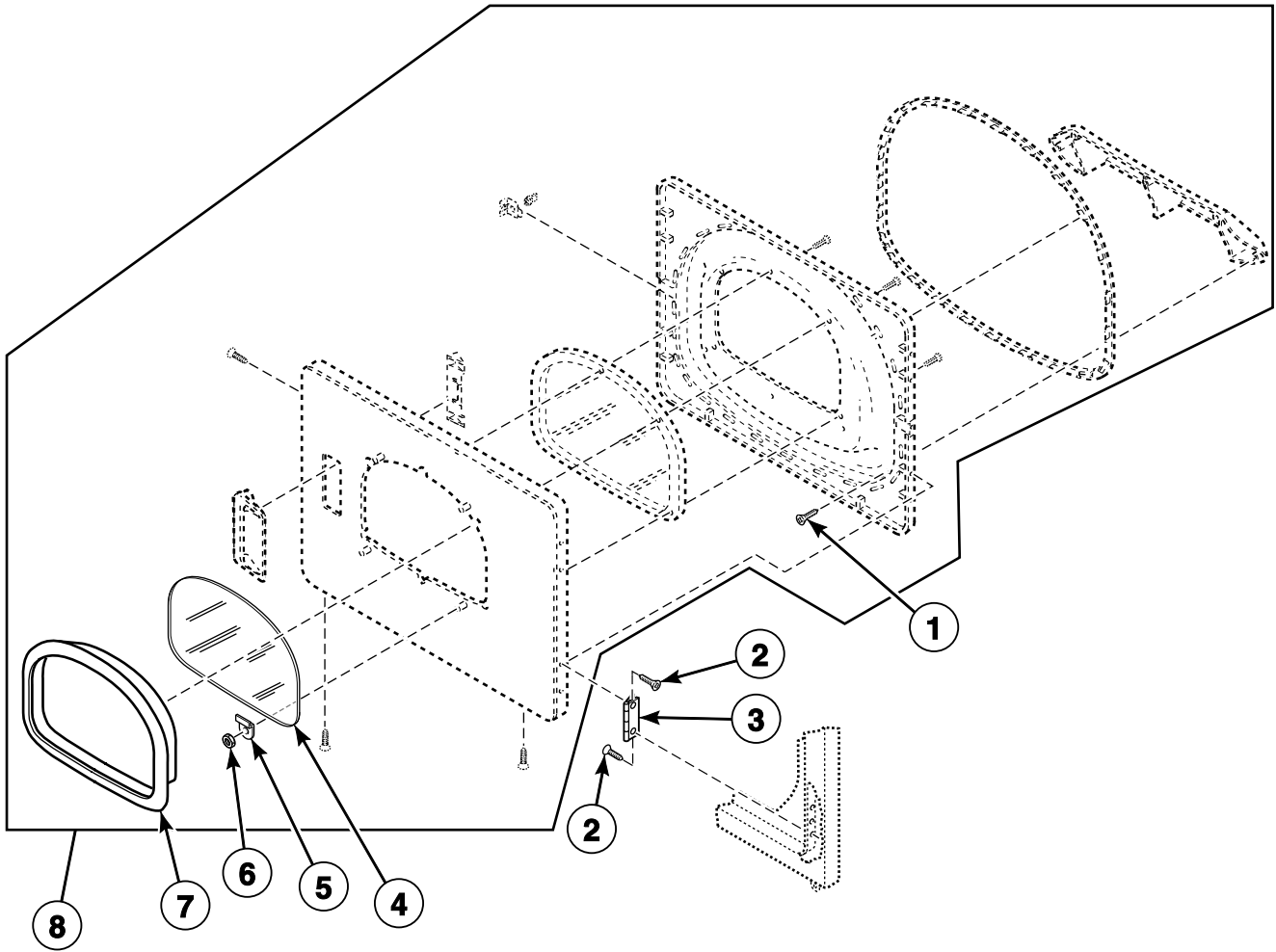


DRY2296P_802847

Dryer Loading Door with Window (Drawing 1 of 2)

REF	PART NO.	DESCRIPTION	COMMENTS
1	514114W	Dryer Door Assembly	White; Models BTE50FSP171TW01, BTE50FSP281CW01, LTSA7A*N, LTSA7A*N1500, LTSA7A*N2989, LTUA7A*N, LTUA7A*N2802, LTZA7A*N, LTZA7A*N2802 and UTE50FSP171TW08 starting Serial No. 1303025315
	514114Q	Dryer Door Assembly	Bisque; Models BTE50FSP171TW01, BTE50FSP281CW01, LTSA7A*N, LTSA7A*N1500, LTSA7A*N2989, LTUA7A*N, LTUA7A*N2802, LTZA7A*N, LTZA7A*N2802 and UTE50FSP171TW08 starting Serial No. 1303025315
	510082WP	Dryer Door	White; Models BTE50FSP171TW01, BTE50FSP281CW01, LTSA7A*N, LTSA7A*N1500, LTSA7A*N2989, LTUA7A*N, LTUA7A*N2802, LTZA7A*N, LTZA7A*N2802, UTE50FSP171TW08 through Serial No. 1303025314; All other models
	510082QP	Dryer Door	Bisque; Models BTE50FSP171TW01, BTE50FSP281CW01, LTSA7A*N, LTSA7A*N1500, LTSA7A*N2989, LTUA7A*N, LTUA7A*N2802, LTZA7A*N, LTZA7A*N2802, UTE50FSP171TW08 through Serial No. 1303025314; All other models
2	510129	Door Handle Wedge	
3	503982P	Dryer Door Window	
4	510127	Door Strike Mount	
5	510181	Door Strike	
6	505870	Screw	
7	510147P	Liner Door Seal	
8	503870LG	Door Liner Grill	Models BTE50FSP171TW01, BTE50FSP281CW01, LTSA7A*N, LTSA7A*N1500, LTSA7A*N2989, LTUA7A*N, LTUA7A*N2802, LTZA7A*N, LTZA7A*N2802 and UTE50FSP171TW08 starting Serial No. 1303025315
	503870W	Door Liner Grill	Models BTE50FSP171TW01, BTE50FSP281CW01, LTSA7A*N, LTSA7A*N1500, LTSA7A*N2989, LTUA7A*N, LTUA7A*N2802, LTZA7A*N, LTZA7A*N2802, UTE50FSP171TW08 through Serial No. 1303025314; All other models
9	510098LG	Liner and Seal Assembly	Includes item 7; Models BTE50FSP171TW01, BTE50FSP281CW01, LTSA7A*N, LTSA7A*N1500, LTSA7A*N2989, LTUA7A*N, LTUA7A*N2802, LTZA7A*N, LTZA7A*N2802 and UTE50FSP171TW08 starting Serial No. 1303025315
	510098W	Liner and Seal Assembly	Includes item 7; Models BTE50FSP171TW01, BTE50FSP281CW01, LTSA7A*N, LTSA7A*N1500, LTSA7A*N2989, LTUA7A*N, LTUA7A*N2802, LTZA7A*N, LTZA7A*N2802, UTE50FSP171TW08 through Serial No. 1303025314; All other models
10	500226	Screw	

Dryer Loading Door with Window (Drawing 2 of 2)

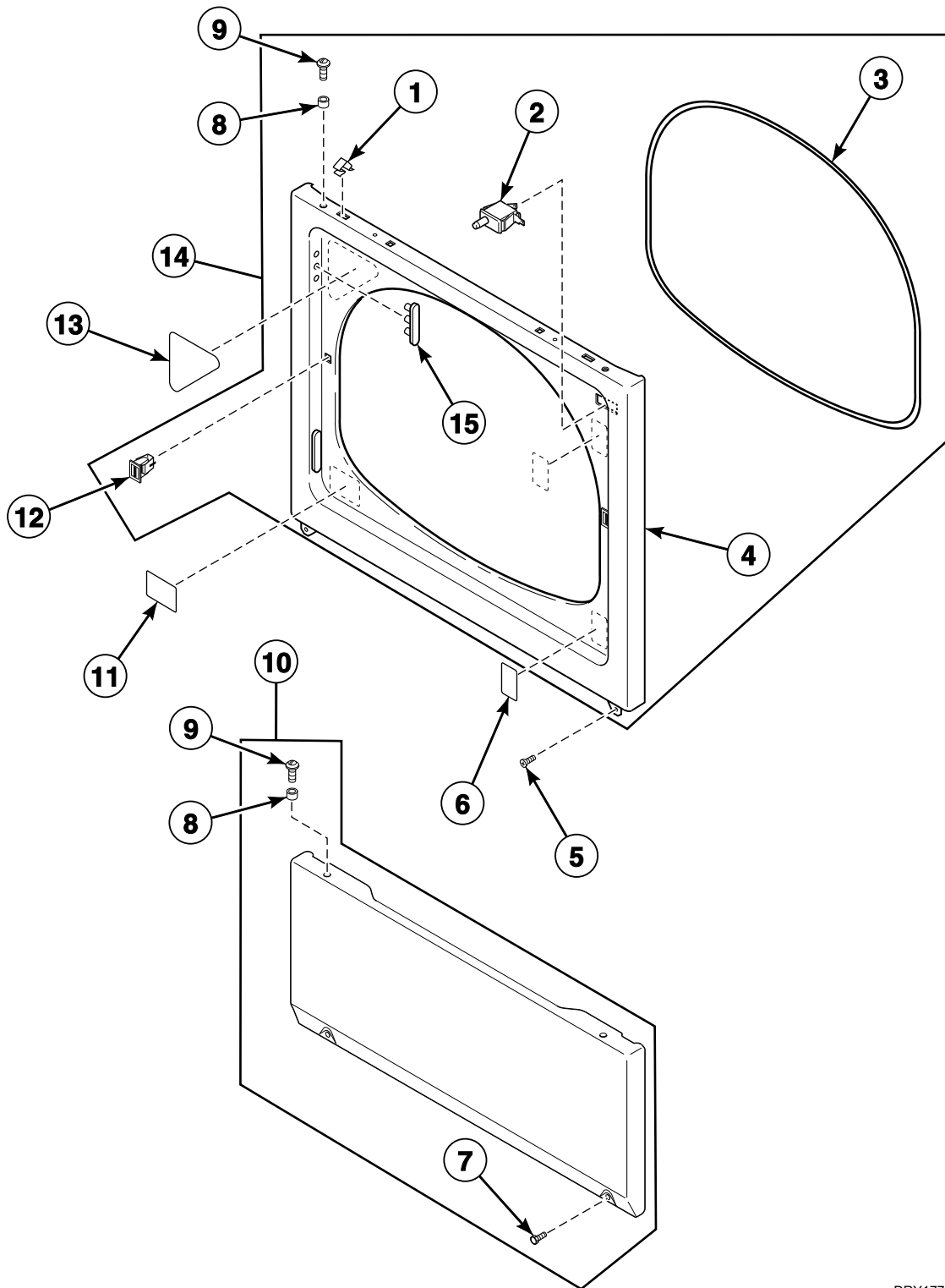


DRY2296PA_802847

Dryer Loading Door with Window (Drawing 2 of 2)

REF	PART NO.	DESCRIPTION	COMMENTS
1	505870	Screw	
2	505295	Screw	
3	511036	Hinge	
4	513910	Glass Door Window	Models BTE50FSP171TW01, BTE50FSP281CW01, LTSA7A*N, LTSA7A*N1500, LTSA7A*N2989, LTUA7A*N, LTUA7A*N2802, LTZA7A*N, LTZA7A*N2802 and UTE50FSP171TW08 starting Serial No. 1303025315
5	513958	Window Clip	Models BTE50FSP171TW01, BTE50FSP281CW01, LTSA7A*N, LTSA7A*N1500, LTSA7A*N2989, LTUA7A*N, LTUA7A*N2802, LTZA7A*N, LTZA7A*N2802 and UTE50FSP171TW08 starting Serial No. 1303025315
6	44071201	Nut	Models BTE50FSP171TW01, BTE50FSP281CW01, LTSA7A*N, LTSA7A*N1500, LTSA7A*N2989, LTUA7A*N, LTUA7A*N2802, LTZA7A*N, LTZA7A*N2802 and UTE50FSP171TW08 starting Serial No. 1303025315
7	512633	Window Trim	Gray; Models ATE50FWP431AW01 and ATG50FWP301AW01
	513960W	Window Trim	White; Models BTE50FSP171TW01, BTE50FSP281CW01, LTSA7A*N, LTSA7A*N1500, LTSA7A*N2989, LTUA7A*N, LTUA7A*N2802, LTZA7A*N, LTZA7A*N2802 and UTE50FSP171TW08 starting Serial No. 1303025315
	513960Q	Window Trim	Bisque; Models BTE50FSP171TW01, BTE50FSP281CW01, LTSA7A*N, LTSA7A*N1500, LTSA7A*N2989, LTUA7A*N, LTUA7A*N2802, LTZA7A*N, LTZA7A*N2802 and UTE50FSP171TW08 starting Serial No. 1303025315
	503981W	Window Trim	White; Models BTE50FSP171TW01, BTE50FSP281CW01, LTSA7A*N, LTSA7A*N1500, LTSA7A*N2989, LTUA7A*N, LTUA7A*N2802, LTZA7A*N, LTZA7A*N2802, UTE50FSP171TW08 through Serial No. 1303025314; All other models
	503981Q	Window Trim	Bisque; Models BTE50FSP171TW01, BTE50FSP281CW01, LTSA7A*N, LTSA7A*N1500, LTSA7A*N2989, LTUA7A*N, LTUA7A*N2802, LTZA7A*N, LTZA7A*N2802, UTE50FSP171TW08 through Serial No. 1303025314; All other models
8	511636WP	Door and Liner Assembly	White; Includes items on <i>Dryer Loading Door with Window (Drawing 1 of 2)</i> and items 1 and 4-7; Models BTE50FSP171TW01, BTE50FSP281CW01, LTSA7A*N, LTSA7A*N1500, LTSA7A*N2989, LTUA7A*N, LTUA7A*N2802, LTZA7A*N, LTZA7A*N2802, UTE50FSP171TW08 through Serial No. 1303025314; All other models
	511636QP	Door and Liner Assembly	Bisque; Includes items on <i>Dryer Loading Door with Window (Drawing 1 of 2)</i> and items 1 and 4-7; Models BTE50FSP171TW01, BTE50FSP281CW01, LTSA7A*N, LTSA7A*N1500, LTSA7A*N2989, LTUA7A*N, LTUA7A*N2802, LTZA7A*N, LTZA7A*N2802, UTE50FSP171TW08 through Serial No. 1303025314; All other models

Dryer Access Panel, Front Panel and Seal



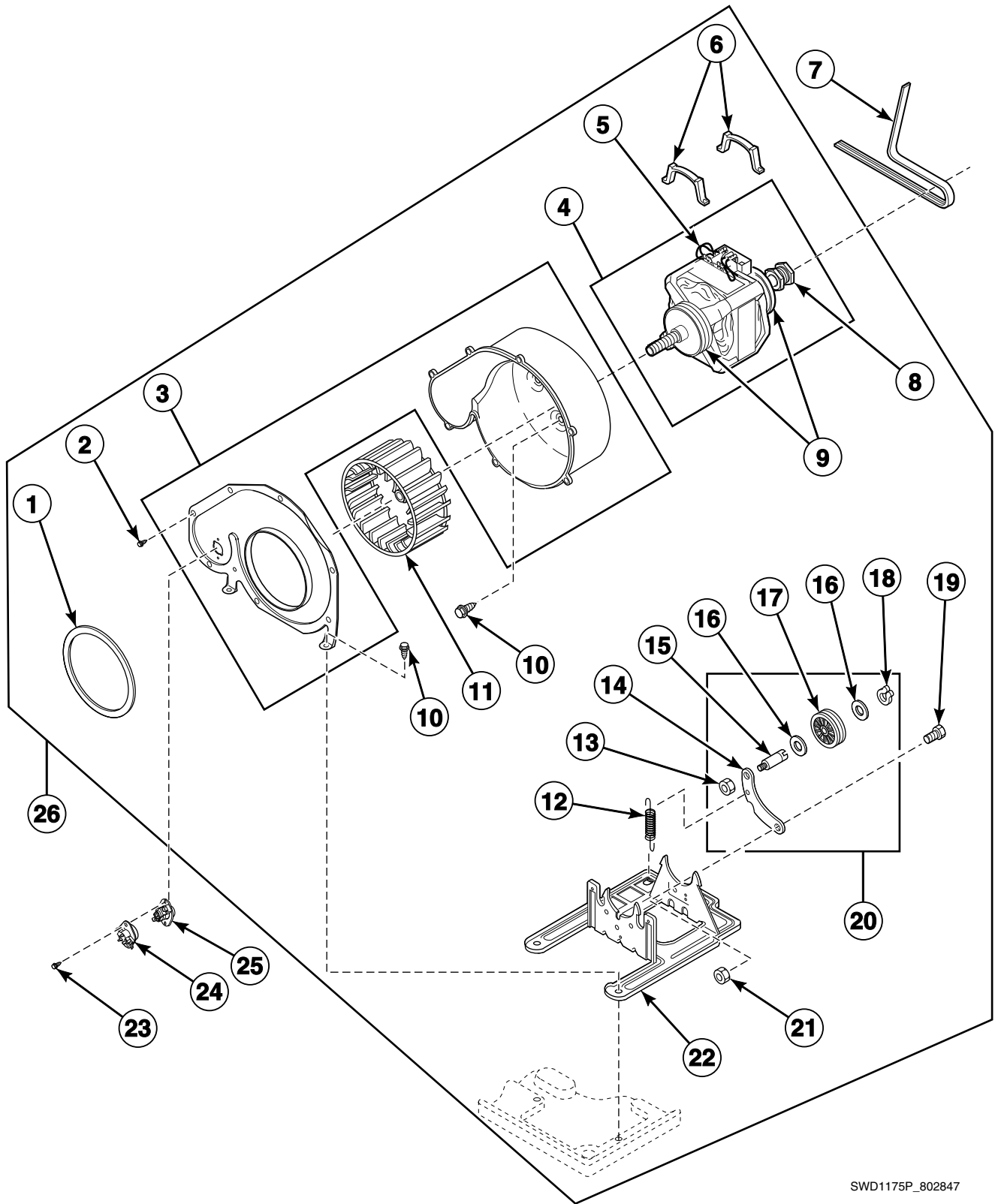
DRY1776P_802847

Dryer Access Panel, Front Panel and Seal

REF	PART NO.	DESCRIPTION	COMMENTS
1	28835	Speed Clip	
2	512973	Switch	
3	511056	Front Panel Seal	
4	510066WP	Front Panel	White
	510066QP	Front Panel	Bisque
5	503688	Screw	
6	512263	Warning Label	Models ATE50FWP431AW01, ATG50FWP301AW01, LTKA6A*N4350, LTSA7A*N4350, LTSA7A*N4351, LTSA9A*N3060 and LTSA9A*N3061
7	33562	Screw	Slotted hex head
	62853	Screw	Torx head; Optional for added security
8	56079	Panel Locator	
9	39733	Screw	
10	514252W	Access Panel and Guard Assembly	White; Includes items 7-9; Models BTE50FSP171TW01, BTE50FSP281CW01, LTSA7A*N, LTSA7A*N1500, LTSA7A*N2989, LTUA7A*N, LTUA7A*N2802, LTZA7A*N, LTZA7A*N2802 and UTE50FSP171TW08 starting Serial No. 1303025315
	514252Q	Access Panel and Guard Assembly	Bisque; Includes items 7-9; Models BTE50FSP171TW01, BTE50FSP281CW01, LTSA7A*N, LTSA7A*N1500, LTSA7A*N2989, LTUA7A*N, LTUA7A*N2802, LTZA7A*N, LTZA7A*N2802 and UTE50FSP171TW08 starting Serial No. 1303025315
	514250W	Access Panel Assembly	White; Includes items 7-9; Models BTE50FSP171TW01, BTE50FSP281CW01, LTSA7A*N, LTSA7A*N1500, LTSA7A*N2989, LTUA7A*N, LTUA7A*N2802, LTZA7A*N, LTZA7A*N2802, UTE50FSP171TW08 through Serial No. 1303025314; All other models
	514250Q	Access Panel Assembly	Bisque; Includes items 7-9; Models BTE50FSP171TW01, BTE50FSP281CW01, LTSA7A*N, LTSA7A*N1500, LTSA7A*N2989, LTUA7A*N, LTUA7A*N2802, LTZA7A*N, LTZA7A*N2802, UTE50FSP171TW08 through Serial No. 1303025314; All other models
11	502804	Clean Lint Label	Models ATE50FWP431AW01, ATG50FWP301AW01, LTKA6A*N4350, LTSA7A*N4350, LTSA7A*N4351, LTSA9A*N3060 and LTSA9A*N3061
12	514113	Door Catch Assembly	
13	500253	Caution Label	Models BTE50FSP281CW01, BTG50FSP091CW01, LTUA7A*N2802, LTZA7A*N2802 and LTZA9A*N0902
	500281	Warning/Caution Label	All other models
14	513781W	Front Panel Assembly	Includes items 1-4, 9, 10, 12, 15 and 511636WP Door Assembly, (2) 511036 Door Hinge and (8) 500226 Screw
15	510186	Hinge Hole Plug	

* Add Letter To Designate Color. Q - Bisque W - White

Dryer Motor, Exhaust Fan and Belt



SWD1175P_802847

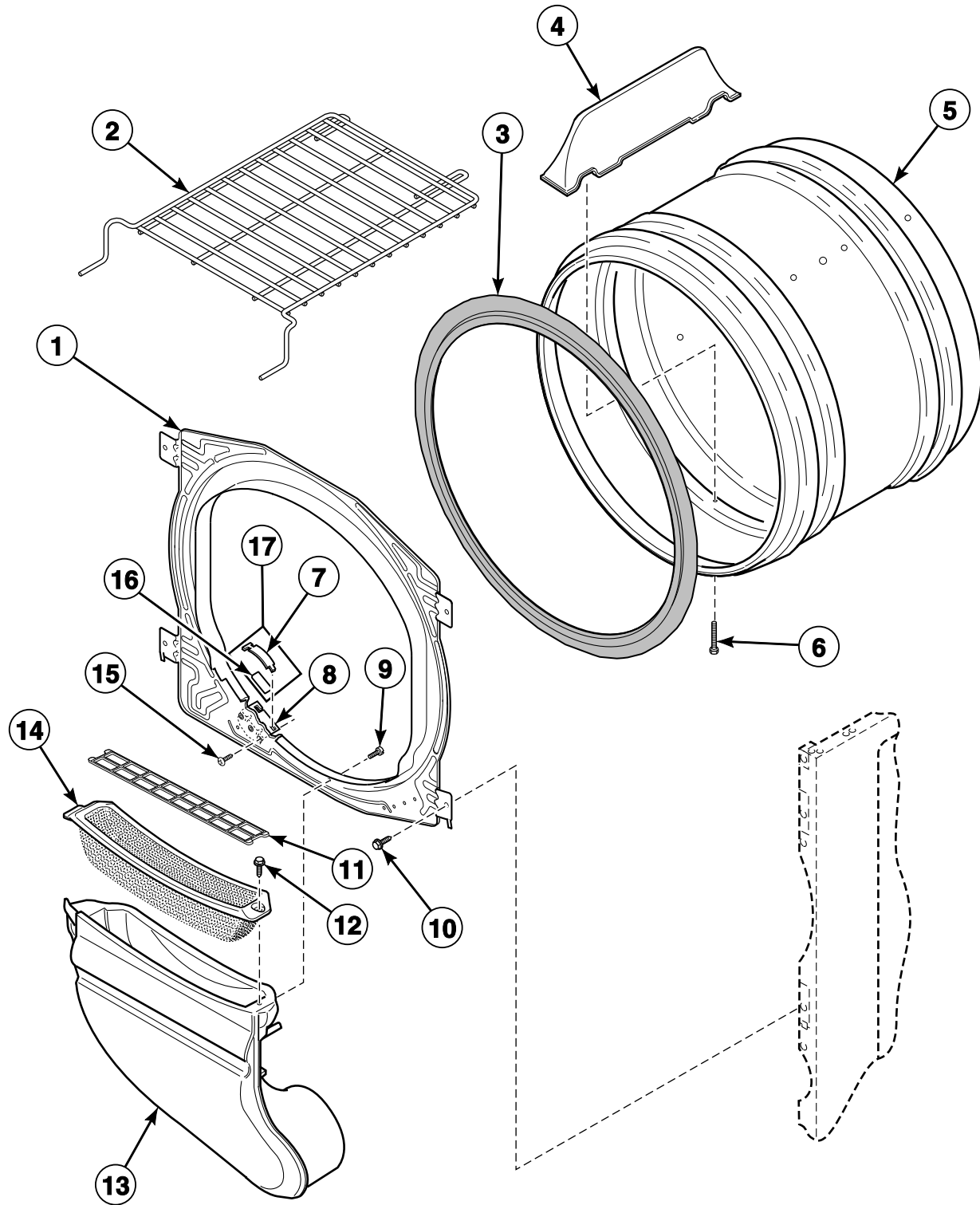
Dryer Motor, Exhaust Fan and Belt

REF	PART NO.	DESCRIPTION	COMMENTS
1	510238P	Blower Housing Seal	
2	31260	Screw	
3	511969WP	Blower Housing	
4	505869P	Motor and Pulley Assembly	240 Volt/60 Hertz; Includes items 5, 8 and 9; Models LTE50FGP541NW23, LTL50FGP541NW23 and LTSA7A*N3300
	505843P	Motor and Pulley Assembly	240 Volt/50 Hertz; Includes items 5, 8 and 9; Models ATE50FWP431AW01, ATG50FWP301AW01, FTE50FSP301NW01, FTE50FSP301NW10, FTG50FSP301NW10, LTKA6A*N4350, LTSA7A*N3000, LTSA7A*N4350, LTSA7A*N4351, LTSA9A*N3000, LTSA9A*N3060 and LTSA9A*N3061
	511629P	Motor and Pulley Assembly	120 Volt/60 Hertz; Includes items 5, 8 and 9; All other models
5	N/A	Motor Switch Kit	Does not include thermal protector
6	510180	Motor Mount Clamp	
7	511255P	Cylinder Belt	
8	500222	Motor Pulley	50 Hertz; Models ATE50FWP431AW01, ATG50FWP301AW01, FTE50FSP301NW01, FTE50FSP301NW10, FTG50FSP301NW10, LTE50FGP541NW23, LTKA6A*N4350, LTL50FGP541NW23, LTSA7A*N3000, LTSA7A*N3300, LTSA7A*N4350, LTSA7A*N4351, LTSA9A*N3000, LTSA9A*N3060 and LTSA9A*N3061
	500011	Motor Pulley	60 Hertz; All other models
9	590P3	Motor Hub Ring Kit	
10	503688	Screw	
11	510139P	Blower Fan Assembly	
12	510185	Idler Spring	
13	56156	Nut	
14	510133	Idler Lever	
15	56461P	Shaft	
16	52549	Washer	
17	510142P	Idler Wheel and Bearing Assembly	
18	23748	Retaining Ring	
19	500824	Screw	
20	510158	Idler Lever and Wheel Assembly	
21	52566	Nut	
22	510060	Motor Mount	
23	23222	Screw	
24	504515	Thermostat	Models BTE50FSP281CW01, LTSA7A*N, LTSA7A*N1500, LTUA7A*N, LTUA7A*N2802, LTZA7A*N, LTZA7A*N2802 and UTE50FSP171TW08
	510707P	Thermostat	Models BTG50FSP091CW01, LTSA9A*N, LTSA9A*N1180, LTUA9A*N, LTZA9A*N, LTZA9A*N0902 and UTG50FSP111TW08
	511887	Thermostat	Model LTSA7A*N2989
	511957	Thermostat	All other models
25	M411941	Manual Reset Thermostat	Models ATG50FWP301AW01 and LTSA9A*N3060
26	510717P	Blower and Fan Kit	120 Volt/60 Hertz; Includes items 1-6 and 8-22; Models BTE50FSP171TW01, BTE50FSP281CW01, BTG50FSP091CW01, BTG50FSP111TW01, LTG50FSP081JW01, LTSA7A*N, LTSA7A*N1500, LTSA7A*N2989, LTSA9A*N, LTSA9A*N1180, LTUA7A*N, LTUA7A*N2802, LTUA9A*N, LTZA7A*N, LTZA7A*N2802, LTZA9A*N, LTZA9A*N0902, UTE50FSP171TW08 and UTG50FSP111TW08

* Add Letter To Designate Color. Q - Bisque W - White

N/A = Part no longer available

Front Bulkhead, Air Duct, Felt Seal and Cylinder



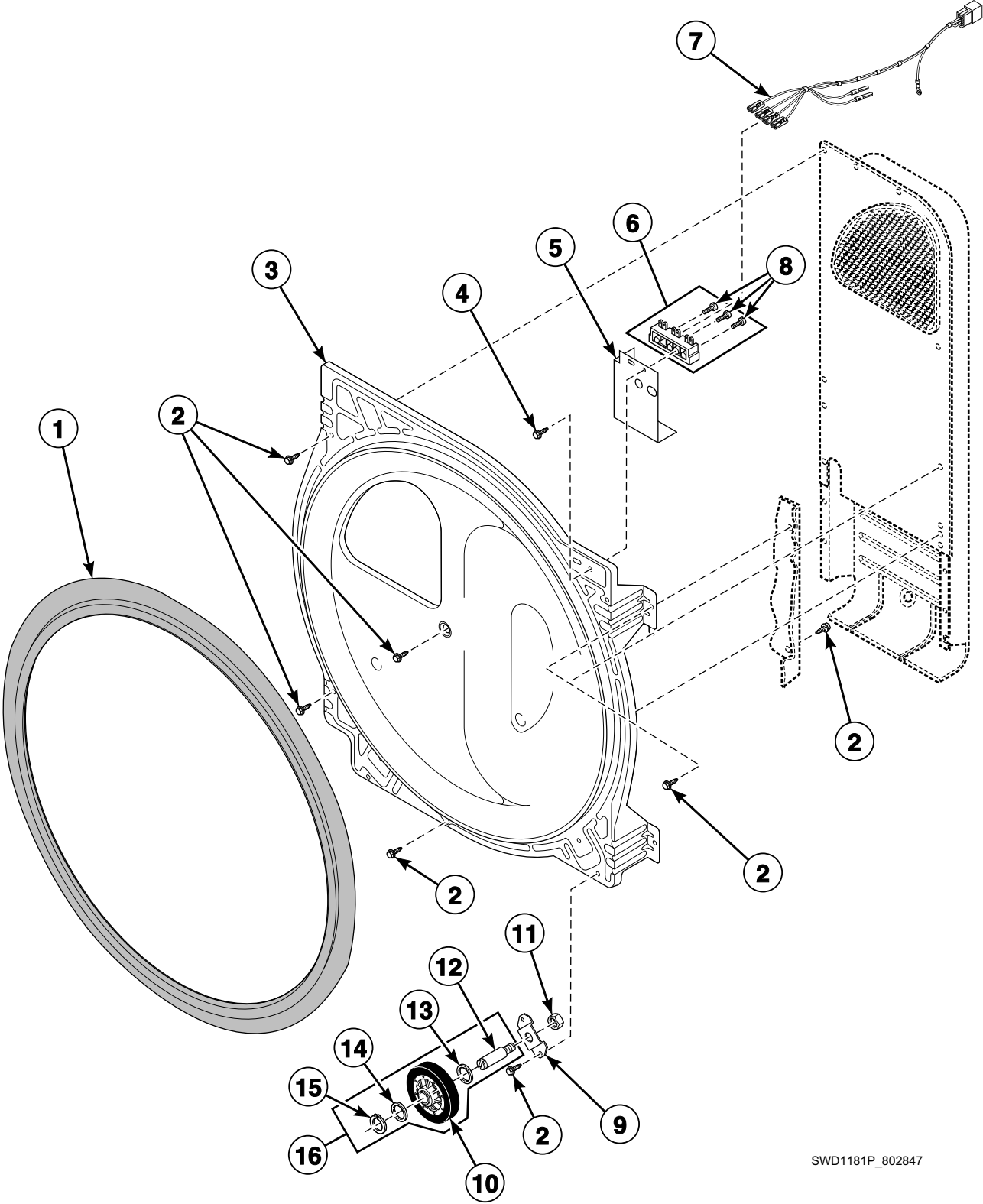
SWD1220P_802847

Front Bulkhead, Air Duct, Felt Seal and Cylinder

REF	PART NO.	DESCRIPTION	COMMENTS
1	511033WP	Front Bulkhead Assembly	Painted; Includes item 3; Models ATE50FWP431AW01, ATG50FWP301AW01 and LTKA6A*N4350
	510266P	Front Bulkhead Assembly	Unpainted; Includes item 3; All other models
2	512082P	Drying Rack	Model LTKA6A*N4350
3	510207P	Cylinder Seal Assembly	
	511637P	Adhesive	For cylinder seal
	RB170001	Seal Kit	Includes 2 cylinder seals, 510238P Blower Housing Seal and 511637P Adhesive
4	510102LG	Cylinder Baffle	Models BTE50FSP171TW01, BTE50FSP281CW01, LTSA7A*N, LTSA7A*N1500, LTSA7A*N2989, LTUA7A*N, LTUA7A*N2802, LTZA7A*N, LTZA7A*N2802 and UTE50FSP171TW08 starting Serial No. 1303025315
	510102W	Cylinder Baffle	Models BTE50FSP171TW01, BTE50FSP281CW01, LTSA7A*N, LTSA7A*N1500, LTSA7A*N2989, LTUA7A*N, LTUA7A*N2802, LTZA7A*N, LTZA7A*N2802, UTE50FSP171TW08 through Serial No. 1303025314; All other models
5	510159WP	Cylinder Assembly	White; Includes baffles; Models ATE50FWP431AW01, ATG50FWP301AW01 and LTKA6A*N4350
	510265LG	Cylinder Assembly	Galvanized; Includes baffles; Models BTE50FSP171TW01, BTE50FSP281CW01, LTSA7A*N, LTSA7A*N1500, LTSA7A*N2989, LTUA7A*N, LTUA7A*N2802, LTZA7A*N, LTZA7A*N2802 and UTE50FSP171TW08 starting Serial No. 1303025315
	510265WP	Cylinder Assembly	Galvanized; Includes baffles; Models BTE50FSP171TW01, BTE50FSP281CW01, LTSA7A*N, LTSA7A*N1500, LTSA7A*N2989, LTUA7A*N, LTUA7A*N2802, LTZA7A*N, LTZA7A*N2802, UTE50FSP171TW08 through Serial No. 1303025314; All other models
6	62588	Screw	
7	510188	Cylinder Glide	
8	510145	Cylinder Glide Bracket	
9	52864	Screw	
10	503688	Screw	
11	510502LG	Lint Filter Cover	Models BTE50FSP171TW01, BTE50FSP281CW01, LTSA7A*N, LTSA7A*N1500, LTSA7A*N2989, LTUA7A*N, LTUA7A*N2802, LTZA7A*N, LTZA7A*N2802 and UTE50FSP171TW08 starting Serial No. 1303025315
	510502W	Lint Filter Cover	Models BTE50FSP171TW01, BTE50FSP281CW01, LTSA7A*N, LTSA7A*N1500, LTSA7A*N2989, LTUA7A*N, LTUA7A*N2802, LTZA7A*N, LTZA7A*N2802, UTE50FSP171TW08 through Serial No. 1303025314; All other models
12	501285	Screw	
13	510151LG	Air Duct Assembly	Models BTE50FSP171TW01, BTE50FSP281CW01, LTSA7A*N, LTSA7A*N1500, LTSA7A*N2989, LTUA7A*N, LTUA7A*N2802, LTZA7A*N, LTZA7A*N2802 and UTE50FSP171TW08 starting Serial No. 1303025315
	510151W	Air Duct Assembly	Models BTE50FSP171TW01, BTE50FSP281CW01, LTSA7A*N, LTSA7A*N1500, LTSA7A*N2989, LTUA7A*N, LTUA7A*N2802, LTZA7A*N, LTZA7A*N2802, UTE50FSP171TW08 through Serial No. 1303025314; All other models
14	503980LG	Lint Filter	Models BTE50FSP171TW01, BTE50FSP281CW01, LTSA7A*N, LTSA7A*N1500, LTSA7A*N2989, LTUA7A*N, LTUA7A*N2802, LTZA7A*N, LTZA7A*N2802 and UTE50FSP171TW08 starting Serial No. 1303025315
	503980W	Lint Filter	Models BTE50FSP171TW01, BTE50FSP281CW01, LTSA7A*N, LTSA7A*N1500, LTSA7A*N2989, LTUA7A*N, LTUA7A*N2802, LTZA7A*N, LTZA7A*N2802, UTE50FSP171TW08 through Serial No. 1303025314; All other models
15	505295	Screw	
16	510189	Felt Pad	
17	RB170003	Glide Kit	Includes items 7 and 16

* Add Letter To Designate Color. Q - Bisque W - White

Rear Bulkhead, Felt Seal, Cylinder Roller and Terminal Block



SWD1181P_802847

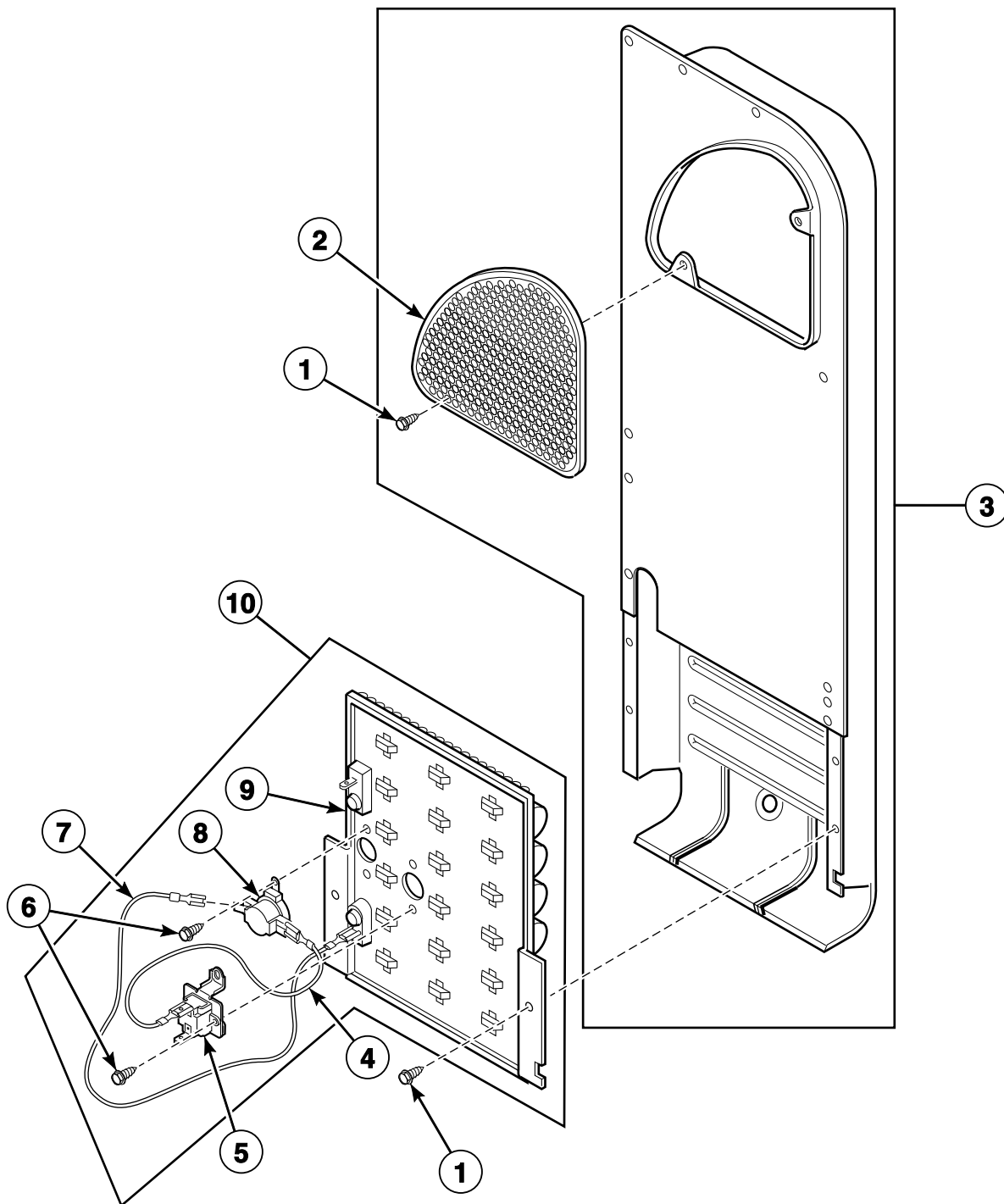
Rear Bulkhead, Felt Seal, Cylinder Roller and Terminal Block

REF	PART NO.	DESCRIPTION	COMMENTS
1	510207P	Cylinder Seal Assembly	
	511637P	Adhesive	For cylinder seal
	RB170001	Seal Kit	Includes 2 cylinder seals, 510238P Blower Housing Seal and 511637P Adhesive
2	503688	Screw	
3	510905WP	Rear Bulkhead Assembly	White; Includes item 1; Models ATE50FWP431AW01, ATG50FWP301AW01 and LTKA6A*N4350
	511082P	Rear Bulkhead Assembly	Galvanized; Includes item 1; All other models
4	501285	Screw	Electric models
5	510237	Terminal Block Shield	Electric models
6	510190P	Terminal Block Assembly	Includes 3 of item 7
7	510622	Wire Harness Assembly	Power to washer; Model LTSA7A*N2989
8	61199	Screw	
9	510100	Cylinder Roller Bracket	
10	510708P	Cylinder Roller	
11	56156	Nut	
12	56461P	Shaft	
13	504082	Washer	
14	52549	Washer	
15	23748	Retaining Ring	
16	RB170002	Roller Kit	Includes items 10 and 12-15

* Add Letter To Designate Color. Q - Bisque W - White

Heater Duct and Element Assembly

Electric Model Dryers



DRY1789P_802847

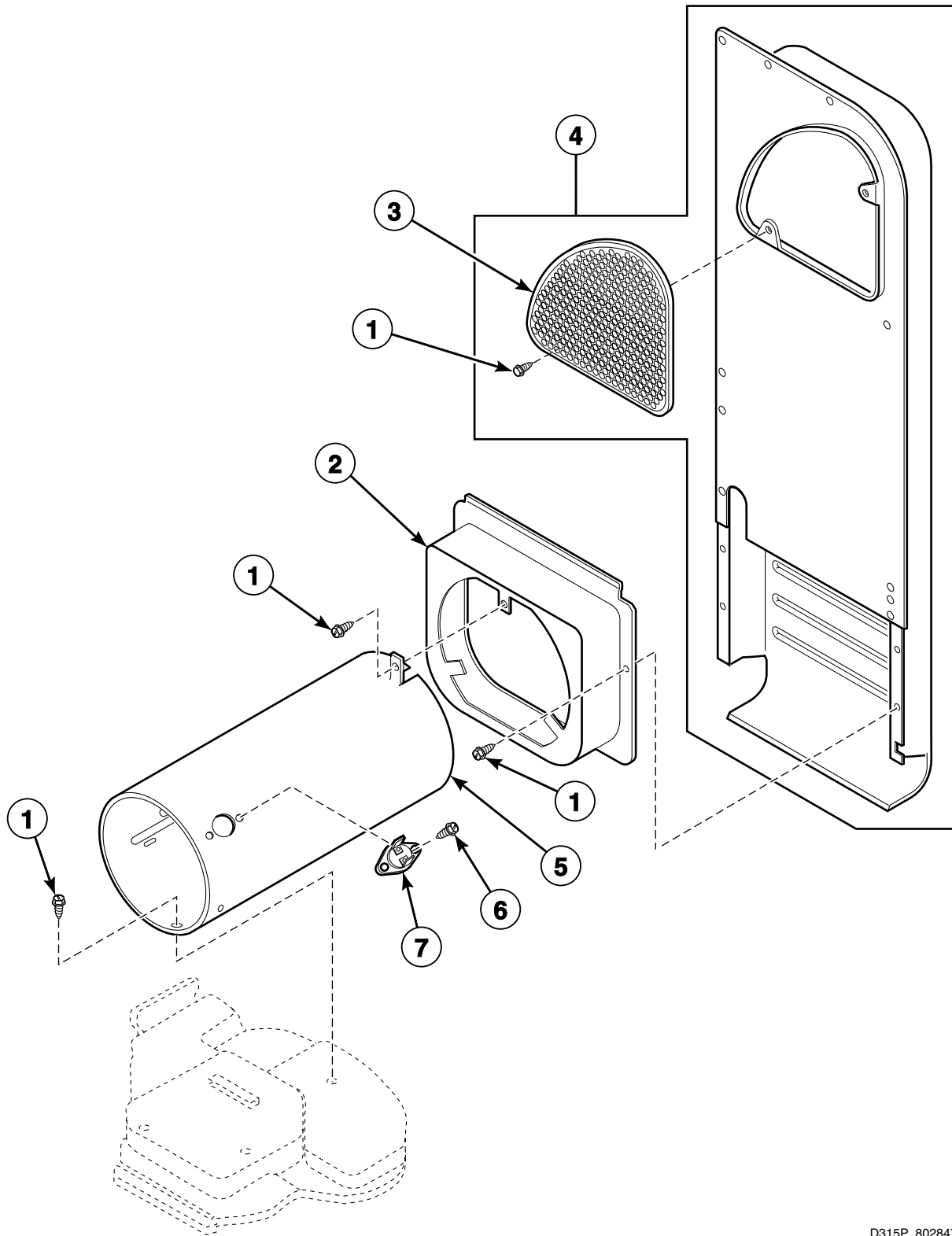
Heater Duct and Element Assembly

REF	PART NO.	DESCRIPTION	COMMENTS
1	503688	Screw	
2	500820	Outlet Cover	
3	510025P	Heater Duct and Screw Assembly	Includes items 1 and 2
4	510528	Wire Assembly	Orange; Thermostat jumper; Attaches to heater assembly
5	511412	Thermal Fuse Assembly	
6	23222	Screw	
7	510527	Wire Assembly	Black; Fuse jumper; Attaches to heater assembly
8	510701	Limit Thermostat	
9	510326P	Heater Assembly	Models FTE50FSP301NW01, FTE50FSP301NW10, LTSA7A*N2989 and LTSA7A*N3000; 4800 Watt; 240 Volt/50 Hertz
	510327P	Heater Assembly	Models ATE50FWP431AW01, LTKA6A*N4350, LTSA7A*N4350 and LTSA7A*N4351; 4000 Watt; 240 Volt/50 Hertz
	510324P	Heater Assembly	Models BTE50FSP281CW01, LTE50FGP541NW23, LTSA7A*N3300, LTUA7A*N2802 and LTZA7A*N2802; 5000 Watt; 240 Volt/60 Hertz
	510325P	Heater	Model LTSA7A*N1500; 4750 Watt; 208 Volt/60 Hertz
	510329P	Heater Assembly	Models BTE50FSP171TW01, LTSA7A*N, LTUA7A*N, LTZA7A*N and UTE50FSP171TW08; 5350 Watt; 240 Volt/60 Hertz
10	964P3	Heater Kit	Includes items 4-9; Models BTE50FSP171TW01, LTSA7A*N, LTUA7A*N and LTZA7A*N; 5350 Watt; 240 Volt/60 Hertz
	61927	Heater Kit Assembly	Includes items 4-9; Models BTE50FSP281CW01, LTE50FGP541NW23, LTSA7A*N3300, LTUA7A*N2802 and LTZA7A*N2802; 5000 Watt; 240 Volt/60 Hertz
	61928	Heater Kit Assembly	Includes items 4-9; Models BTE50FSP171TW01, LTSA7A*N, LTSA7A*N1500, LTUA7A*N, LTZA7A*N and UTE50FSP171TW08; 4750 Watt; 208 Volt/60 Hertz
	61929	Heater Kit Assembly	Includes items 4-9; Models FTE50FSP301NW01, FTE50FSP301NW10, LTSA7A*N2989 and LTSA7A*N3000; 4800 Watt; 240 Volt/50 Hertz
	61930	Heater Kit Assembly	Includes items 4-9; Models ATE50FWP431AW01, LTKA6A*N4350, LTSA7A*N4350 and LTSA7A*N4351; 4000 Watt; 240 Volt/50 Hertz

* Add Letter To Designate Color. Q - Bisque W - White

Heater Duct Assembly

Gas Model Dryers



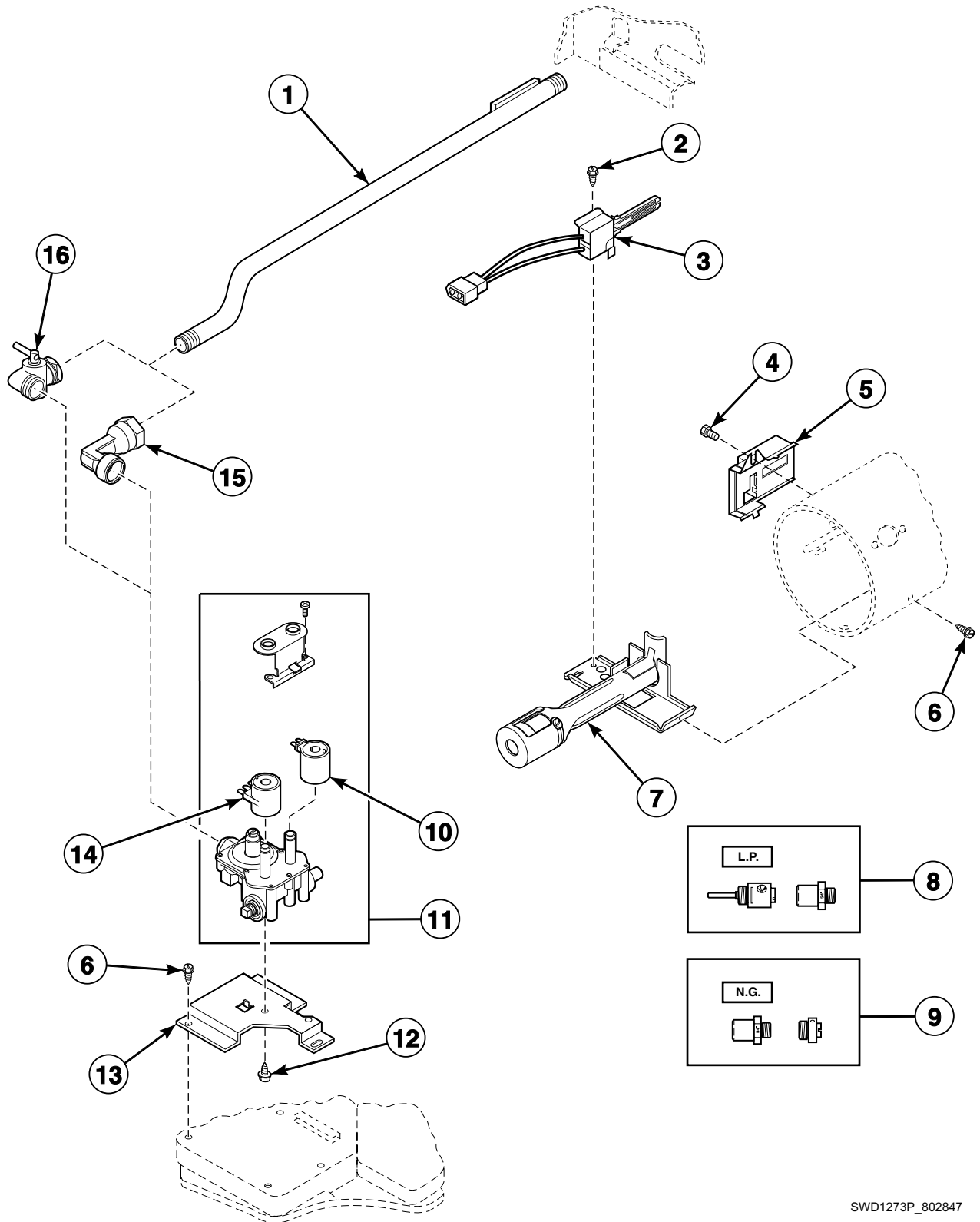
D315P_802847

Heater Duct Assembly

REF	PART NO.	DESCRIPTION	COMMENTS
1	503688	Screw	
2	510101	Heat Duct Shroud	
3	500820	Outlet Cover	
4	510025P	Heater Duct and Screw Assembly	Includes items 1 and 3
5	510131	Combustion Duct	
6	51782	Screw	
7	510702	Limit Thermostat	Color code "black"

Gas Valve, Igniter and Gas Conversion Kits

Gas Model Dryers



SWD1273P_802847

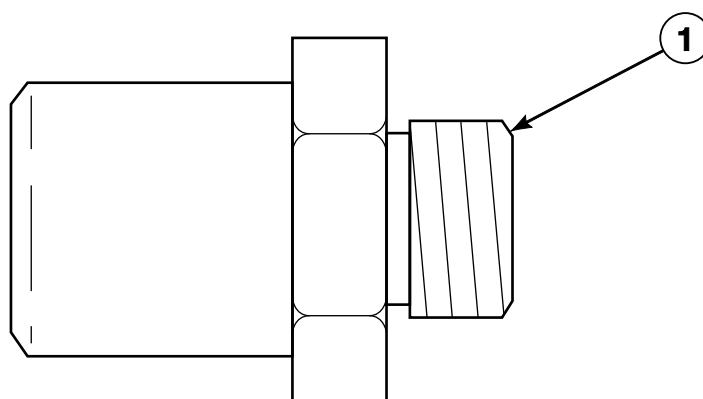
Gas Valve, Igniter and Gas Conversion Kits

REF	PART NO.	DESCRIPTION	COMMENTS
1	510204	Lead-In Pipe Assembly	
2	51782	Screw	
3	510184P	Igniter and Bracket Assembly	
4	23222	Screw	
5	510213	Sensor	
6	503688	Screw	
7	510149P	Burner Assembly	
8	401P3	L.P. Conversion Kit	Used to convert dryers from Natural Gas (N.G.) or Mixed Gas to Liquid Petroleum Gas (L.P.); 20,000 Btu; Models ATG50FWP301AW01, FTG50FSP301NW10, LTL50FGP541NW23, LTSA9A*N3000 and LTSA9A*N3060
	649P3	L.P. Conversion Kit	Used to convert dryers from N.G. or Mixed Gas to L.P.; 22,500 Btu; All other models
9	402P3	N.G. Conversion Kit	Used to convert dryers from L.P. to N.G. or Mixed Gas; 20,000 Btu; Models ATG50FWP301AW01, FTG50FSP301NW10, LTL50FGP541NW23, LTSA9A*N3000 and LTSA9A*N3060
	650P3	N.G. Conversion Kit	Used to convert dryers from L.P. to N.G. or Mixed Gas; 22,500 Btu; All other models
10	58804B	Secondary Coil	
11	60353P	Gas Valve Assembly	25,000 Btu; Includes items 10 and 14; Model LTL50FGP541NW23
	59063P	Gas Valve Assembly	50 Hertz, 20,000 Btu; Models ATG50FWP301AW01, FTG50FSP301NW10, LTSA9A*N3000, LTSA9A*N3060 and LTSA9A*N3061
	510506P	Gas Valve Assembly	60 Hertz, 22,500 Btu; All other models
12	56124	Screw	
13	510128	Gas Valve Mounting Bracket	
14	58804A	Booster and Holding Coil	
15	513072	Elbow	Model LTL50FGP541NW23
16	510205	Elbow Shut-Off Valve	All models except LTL50FGP541NW23

* Add Letter To Designate Color. Q - Bisque W - White

Burner Orifice Spuds - For Higher Elevations (Drawing 1 of 2)

Liquid Petroleum Gas Models



DRY2266P_802847

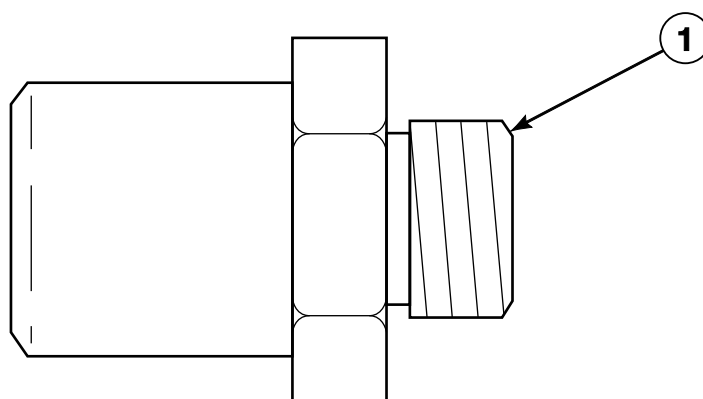
Burner Orifice Spuds - For Higher Elevations (Drawing 1 of 2)

REF	PART NO.	DESCRIPTION	COMMENTS
1	58755	L.P. Orifice	Model LTL50FGP541NW23 25,000 Btu; 7500-10,999 feet (2290-2289 m); Models BTG50FSP091CW01, BTG50FSP111TW01, LTG50FSP081JW01, LTSA9A*N, LTSA9A*N1180, LTUA9A*N, LTZA9A*N, LTZA9A*N0902 and UTG50FSP111TW08 22,500 Btu; 3000-7999 feet (915-2439 m)
	503786	L.P. Orifice	Model LTL50FGP541NW23 25,000 Btu; 11,000 feet (3355 m) and higher; Models ATG50FWP301AW01, FTG50FSP301NW10, LTSA9A*N3000, LTSA9A*N3060 and LTSA9A*N3061 20,000 Btu; 4500-9499 feet (1370-2999 m); All other models 22,500 Btu; 8000 feet (2440 m) and higher
	60941	L.P. Orifice	Models ATG50FWP301AW01, FTG50FSP301NW10, LTSA9A*N3000, LTSA9A*N3060 and LTSA9A*N3061; 20,000 Btu; 9500 feet (3000 m) and higher

* Add Letter To Designate Color. G - Gray L - Almond Q - Bisque W - White

Burner Orifice Spuds - For Higher Elevations (Drawing 2 of 2)

Natural Gas Models



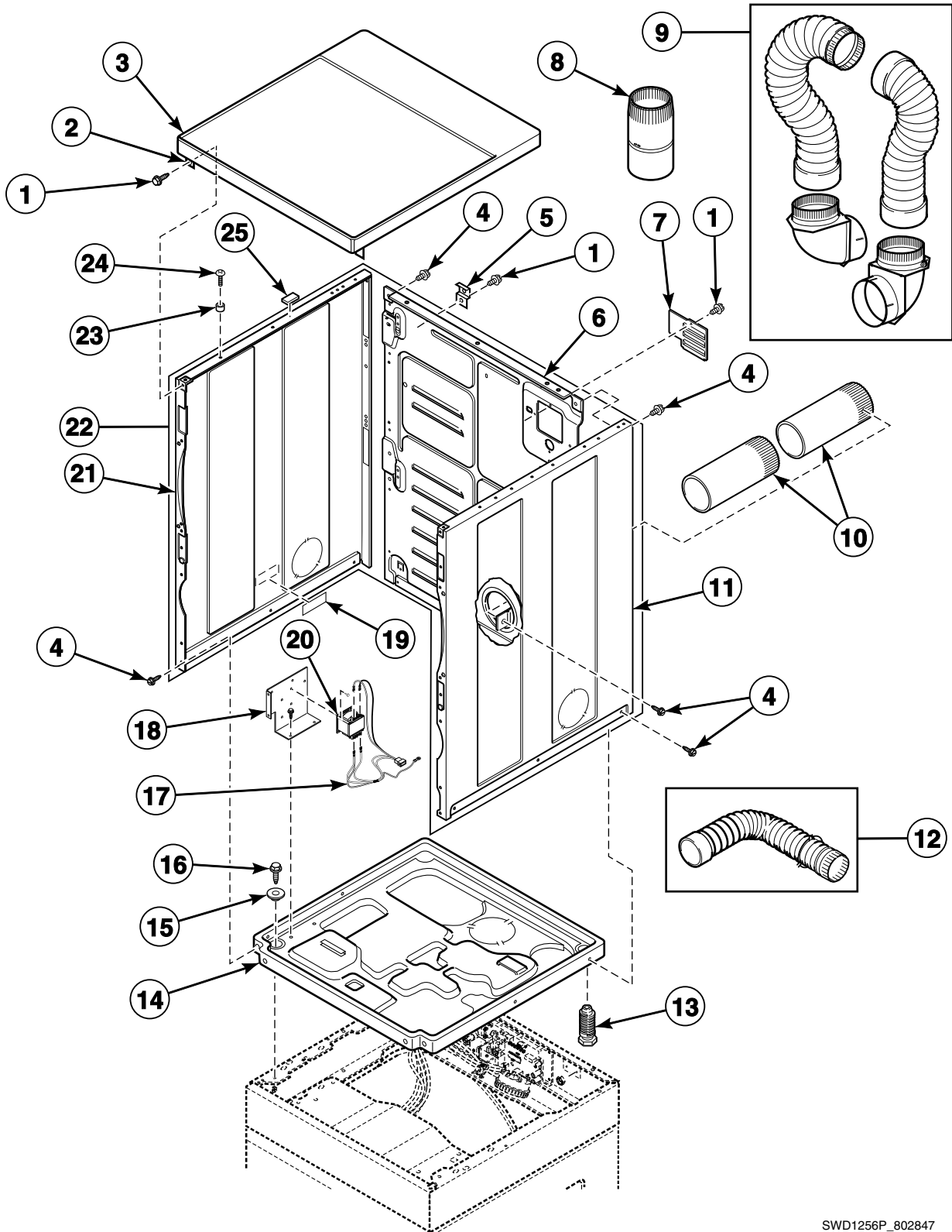
DRY2266P_802847

Burner Orifice Spuds - For Higher Elevations (Drawing 2 of 2)

REF	PART NO.	DESCRIPTION	COMMENTS
1	503776	N.G. Orifice	Model LTL50FGP541NW23; 25,000 Btu; 2000-2999 feet (610-914 m)
	510517	N.G. Orifice	Model LTL50FGP541NW23; 25,000 Btu; 3000-5499 feet (915-1679 m)
	503778	N.G. Orifice	Model LTL50FGP541NW23 25,000 Btu; 5500-6999 feet (1680-2134 m); Models BTG50FSP091CW01, BTG50FSP111TW01, LTG50FSP081JW01, LTSA9A*N, LTSA9A*N1180, LTUA9A*N, LTZA9A*N, LTZA9A*N0902 and UTG50FSP111TW08 22,500 Btu; 3000-5999 feet (915-1829 m)
	58719	Screw Orifice	Model LTL50FGP541NW23 25,000 Btu; 7000-8999 feet (2135-2744 m); Models BTG50FSP091CW01, BTG50FSP111TW01, LTG50FSP081JW01, LTSA9A*N, LTSA9A*N1180, LTUA9A*N, LTZA9A*N, LTZA9A*N0902 and UTG50FSP111TW08 22,500 Btu; 6000-7999 feet (1830-2439 m)
	503779	N.G. Orifice	Model LTL50FGP541NW23 25,000 Btu; 9000-10,499 feet (2745-3199 m); Models BTG50FSP091CW01, BTG50FSP111TW01, LTG50FSP081JW01, LTSA9A*N, LTSA9A*N1180, LTUA9A*N, LTZA9A*N, LTZA9A*N0902 and UTG50FSP111TW08 22,500 Btu; 8000-8999 feet (2440-2739 m); Models ATG50FWP301AW01, FTG50FSP301NW10, LTSA9A*N3000, LTSA9A*N3060 and LTSA9A*N3061 20,000 Btu; 2500-4499 feet (760-1369 m)
	503780	N.G. Orifice	Model LTL50FGP541NW23 25,000 Btu; 10,500 feet (3200 m) and higher; Models BTG50FSP091CW01, BTG50FSP111TW01, LTG50FSP081JW01, LTSA9A*N, LTSA9A*N1180, LTUA9A*N, LTZA9A*N, LTZA9A*N0902 and UTG50FSP111TW08 22,500 Btu; 9000-9999 feet (2740-3049 m); Models ATG50FWP301AW01, FTG50FSP301NW10, LTSA9A*N3000, LTSA9A*N3060 and LTSA9A*N3061 20,000 Btu; 4500-5999 feet (1370-1829 m)
	503781	N.G. Orifice	Models BTG50FSP091CW01, BTG50FSP111TW01, LTG50FSP081JW01, LTSA9A*N, LTSA9A*N1180, LTUA9A*N, LTZA9A*N, LTZA9A*N0902 and UTG50FSP111TW08 22,500 Btu; 10,000 feet (3050 m) and higher; Models ATG50FWP301AW01, FTG50FSP301NW10, LTSA9A*N3000, LTSA9A*N3060 and LTSA9A*N3061 20,000 Btu; 6000-7499 feet (1830-2289 m)
	503782	N.G. Orifice	Models ATG50FWP301AW01, FTG50FSP301NW10, LTSA9A*N3000, LTSA9A*N3060 and LTSA9A*N3061; 20,000 Btu; 7500-9499 feet (2290-2899 m)

* Add Letter To Designate Color. G - Gray L - Almond Q - Bisque W - White

Dryer Cabinet, Exhaust Duct and Base



SWD1256P_802847

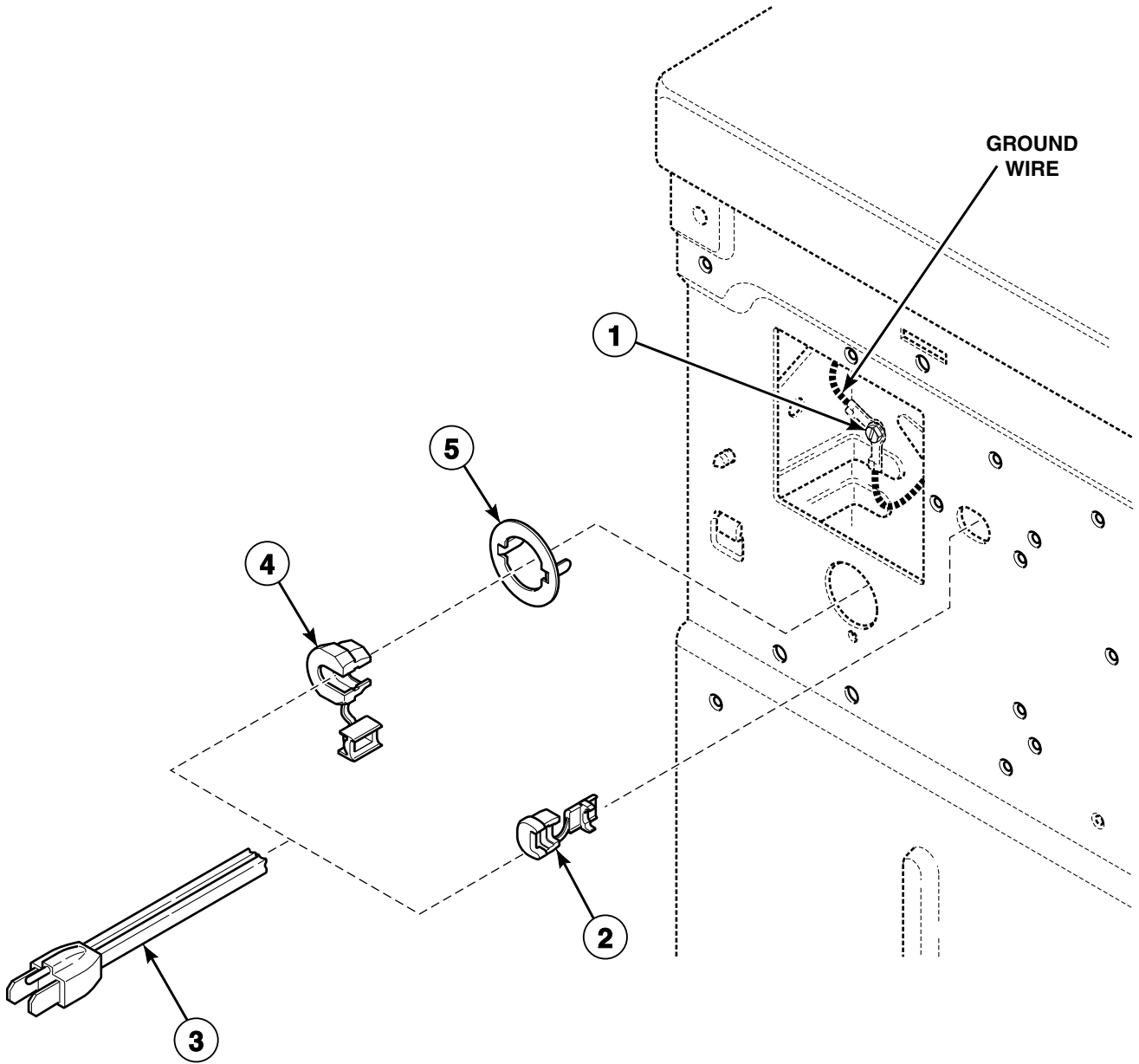
Dryer Cabinet, Exhaust Duct and Base

REF	PART NO.	DESCRIPTION	COMMENTS
	122P4P	Porcelain Touch-Up Paint	White
	370P4P	Porcelain Touch-Up Paint	Bisque
1	503661	Screw	
2	510146	Bracket	
3	510032WP	Top Kit	White
	510032QP	Top Kit	Bisque
4	503688	Screw	
5	510136	Top Hinge	
6	510005P	Cabinet Rear Panel	
7	510903	Access Panel Plate	
8	58786	Damper	
9	521P3	Flexible Venting Kit	
10	510137	Exhaust Duct	Each dryer requires 2 pieces
11	510002WP	Cabinet Side Panel	White; Right
	510002QP	Cabinet Side Panel	Bisque; Right
12	528P3	Directional Exhaust Kit	Used to vent dryer out the sides
13	510135	Leveling Leg	
14	513901	Dryer Base	
15	26509	Washer	
16	502431	Screw	
17	511303	Wire Harness Assembly	Transformer adapter; Includes 502592 Fuse, 3.15 Amp, 250 Volt; Models ATG50FWP301AW01, FTG50FSP301NW10, LTSA9A*N3000, LTSA9A*N3060 and LTSA9A*N3061
18	511859	Contacto Bracket	Models ATG50FWP301AW01, FTG50FSP301NW10, LTSA9A*N3000, LTSA9A*N3060 and LTSA9A*N3061
19	61294	Fuse Notice Label	Electric models
20	511658P	Transformer Kit	Includes item 17; Models ATG50FWP301AW01, FTG50FSP301NW10, LTSA9A*N3000, LTSA9A*N3060 and LTSA9A*N3061
21	510001WP	Cabinet Side Panel	White; Left
	510001QP	Cabinet Side Panel	Bisque; Left
22	727P3W	Panel Kit	White; Replaces the 1 piece wrap-a-round cabinet; Kit includes items 6, 11, 21 and the necessary attaching hardware
	727P3Q	Panel Kit	Bisque; Replaces the 1 piece wrap-a-round cabinet; Kit includes items 6, 11, 21 and the necessary attaching hardware
23	56079	Panel Locator	
24	39733	Screw	
25	56128	Bumper Pad	

* Add Letter To Designate Color. Q - Bisque W - White

Power Cord

Models ATG50FWP301AW01, BTE50FSP281CW01, BTG50FSP091CW01, BTG50FSP111TW01, LTG50FSP081JW01, LTL50FGP541NW23, LTSA9A*N, LTSA9A*N1180, LTSA9A*N3060, LTSA9A*N3061, LTUA7A*N2802, LTUA9A*N, LTZA7A*N2802, LTZA9A*N, LTZA9A*N0902 and UTG50FSP111TW08



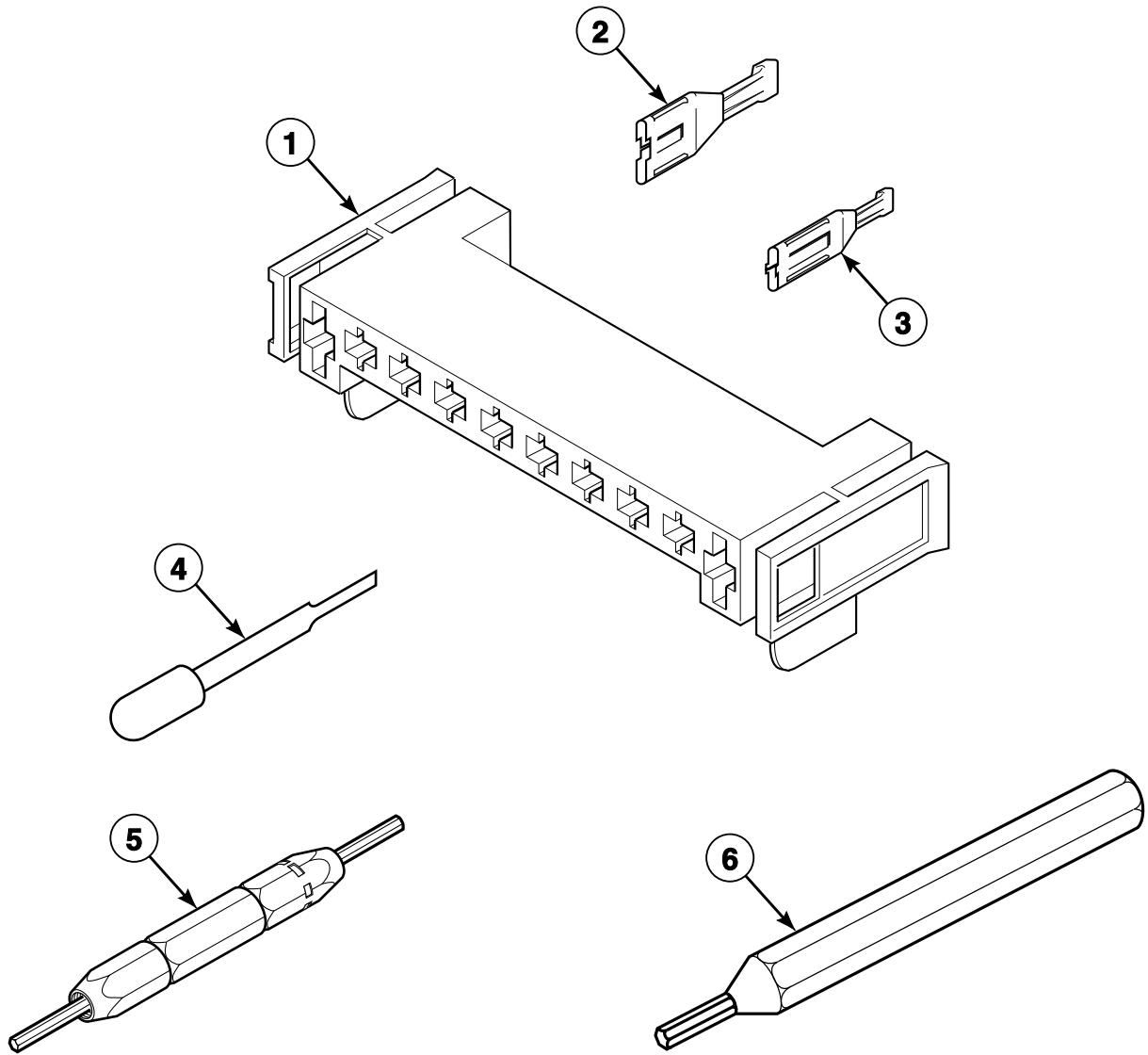
SWD1222P_802847

Power Cord

REF	PART NO.	DESCRIPTION	COMMENTS
1	20530	Screw	
2	38384	Strain Relief	Models BTG50FSP111TW01, LTG50FSP081JW01, LTSA9A*N, LTSA9A*N1180, LTUA9A*N, LTZA9A*N and UTG50FSP111TW08
3	58992	Power Cord Assembly	Models BTG50FSP091CW01 and LTZA9A*N0902
	57397	Power Cord Assembly	Models BTE50FSP281CW01, LTUA7A*N2802 and LTZA7A*N2802
	512019	Lead-In Cord	Models ATG50FWP301AW01, BTE50FSP281CW01, LTSA9A*N3060 and LTSA9A*N3061
	59373	Lead-In Cord	Model LTL50FGP541NW23
	59308	Lead-In Cord	All other models
4	52151	Strain Relief	Models BTG50FSP091CW01 and LTZA9A*N0902
	52113	Strain Relief	Model LTL50FGP541NW23
	60298	Strain Relief	Models LTSA9A*N3060 and LTSA9A*N3061
5	502496	Strain Relief Adapter	Models ATG50FWP301AW01, BTG50FSP091CW01, LTL50FGP541NW23, LTSA9A*N3060, LTSA9A*N3061 and LTZA9A*N0902

* Add Letter To Designate Color. Q - Bisque W - White

Dryer Motor Connection Block, Terminal Extractor Tools



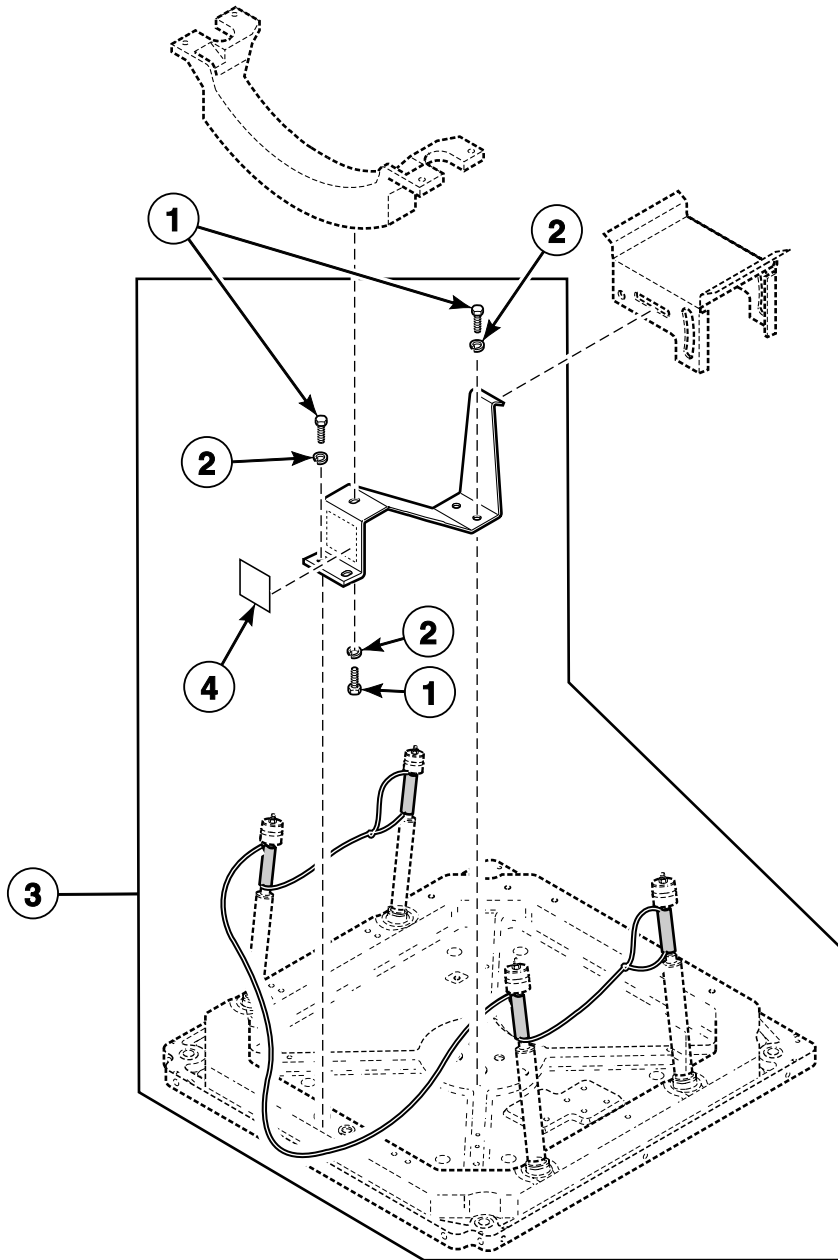
SWD1216P_802847

Dryer Motor Connection Block, Terminal Extractor Tools

REF	PART NO.	DESCRIPTION	COMMENTS
1	500338	10 Position Housing	Molex
2	00255	Female Terminal	1/4 inch; For (1) 12 gauge wire
	00256	Female Terminal	1/4 inch; For (1) or (2) 18 gauge wires
3	00188	Female Terminal	For 1 or 2 wire applications
4	283P4	Terminal Extractor Tool	For use on Molex connectors
5	190P4	Extractor Tool	For use on electric dryer terminals
6	128P4	Extractor Tool	For use on gas dryer terminals

* Add Letter To Designate Color. Q - Bisque W - White

Shipping Materials

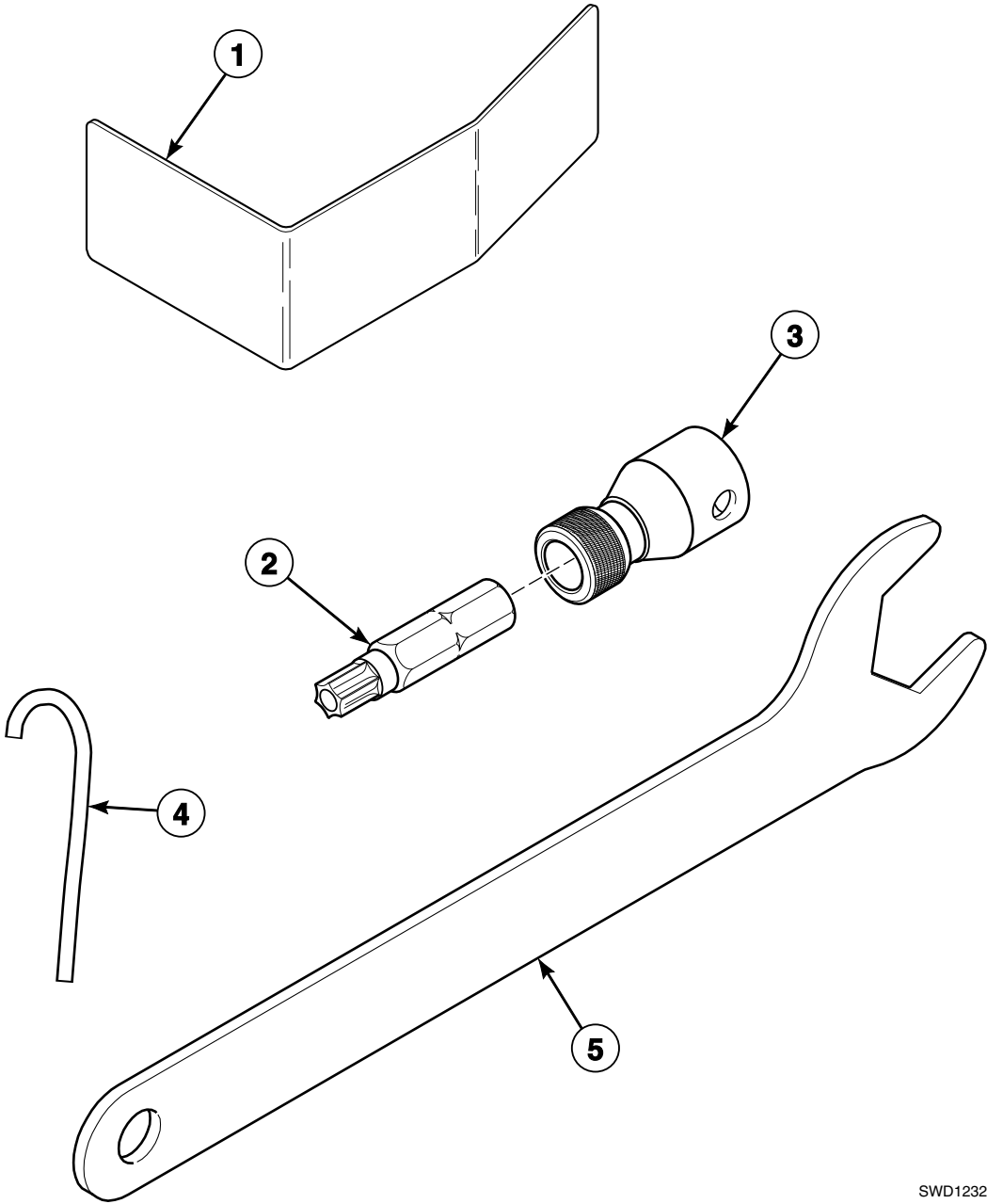


FLW1030P_802847

Shipping Materials

REF	PART NO.	DESCRIPTION	COMMENTS
1	M400043	Screw	
2	M400014	Washer	
3	930P3	Shipping Materials Kit	Includes items 1, 2, 4, shipping bracket, and shipping cord and brace assembly
4	686901	Shipping Bracket Label	

Special Tools

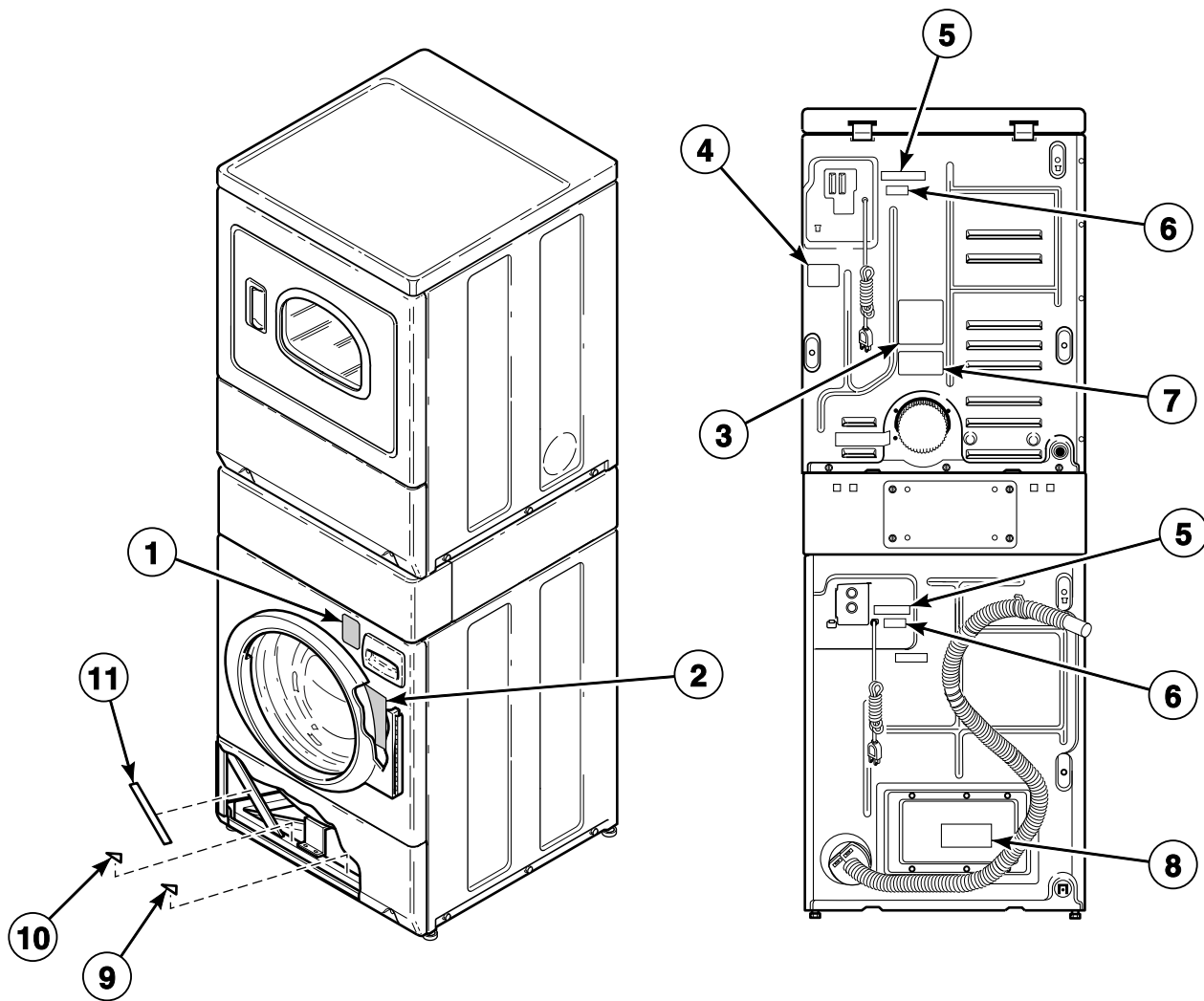


SWD1232P_802847

Special Tools

REF	PART NO.	DESCRIPTION	COMMENTS
1	318P4	Dispenser Drawer Tool	Use to remove dispenser drawer
2	282P4	Torx Bit	
3	24161	Bit Holder	
4	802336	Pulley Bolt Tightening Fixture	Use to install inner basket
5	392P4	Wrench	Use for adjusting leveling leg nuts

Labels



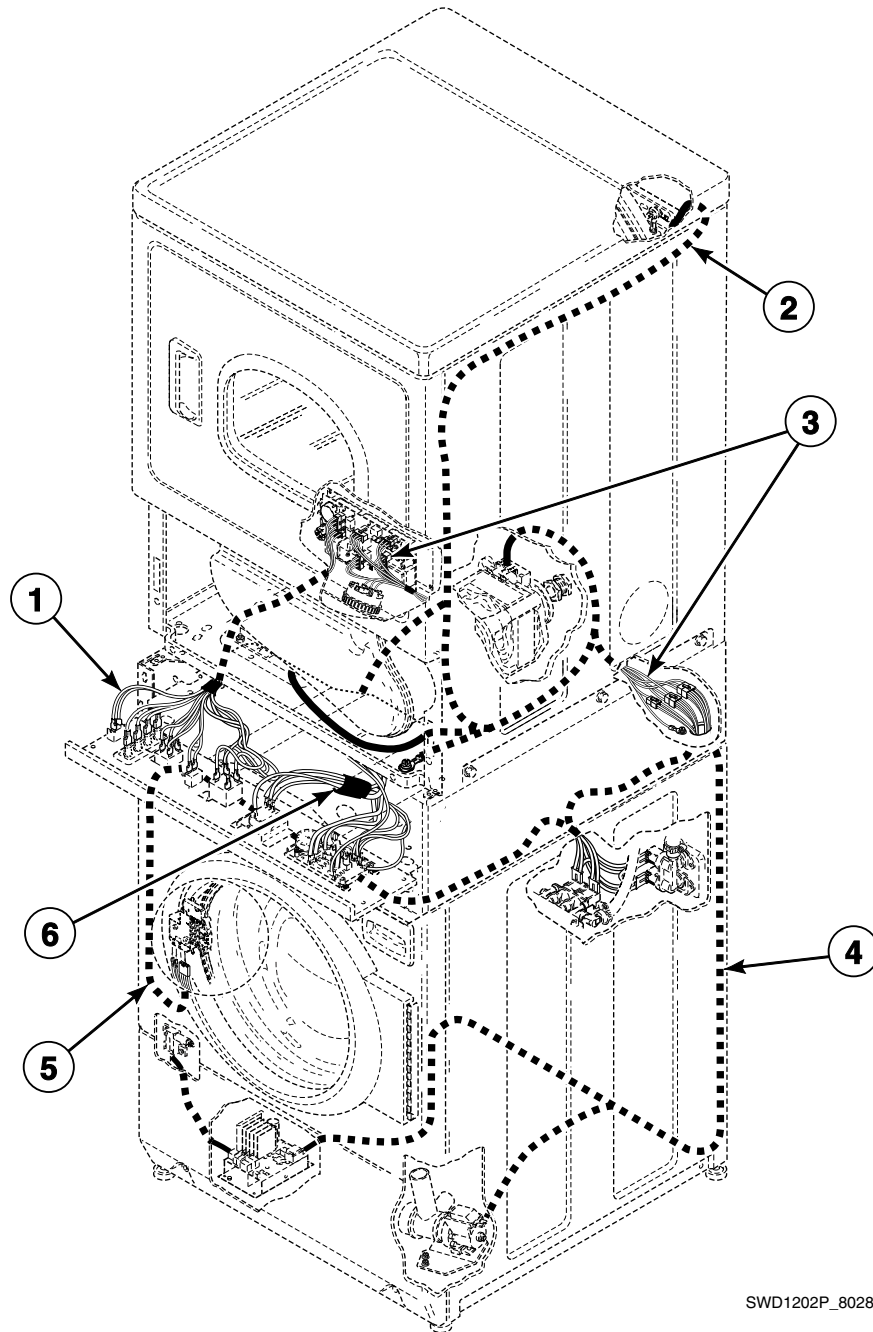
SWD1274P_802847

Labels

REF	PART NO.	DESCRIPTION	COMMENTS
1	802074	Oversudsing Label	English
	802838	Oversudsing Label	Spanish
	802839	Oversudsing Label	Quebec French
2	802367	Door Locked Warning Label	
3	502791	Venting Instruction Label	
4	62104	Voltage Warning Label	Model LTSA7A*N1500
5	505281	Disconnect Power Warning Label	English
	502511	Electrical Shock Label	Icon
6	803260	Warning Label	
7	500497	Exhaust Warning Label	
8	500049	Warning Label	English
	500314	Warning Label	Quebec French
	502511	Electrical Shock Label	Icon
9	F8211301	Pinched Fingers Label	Models FTE50FSP301NW01, FTE50FSP301NW10, FTG50FSP301NW10, LTSA7A*N3000, LTSA7A*N3300 and LTSA9A*N3000
10	F8211201	Electrical Shock Label	Models FTE50FSP301NW01, FTE50FSP301NW10, FTG50FSP301NW10, LTSA7A*N3000, LTSA7A*N3300 and LTSA9A*N3000
11	803522	Warning Label	Models ATE50FWP431AW01, ATG50FWP301AW01, BTE50FSP171TW01, BTE50FSP281CW01, BTG50FSP091CW01, BTG50FSP111TW01, LTE50FGP541NW23, LTG50FSP081JW01, LTKA6A*N4350, LTL50FGP541NW23, LTSA7A*N, LTSA7A*N1500, LTSA7A*N2989, LTSA7A*N4350, LTSA7A*N4351, LTSA9A*N, LTSA9A*N1180, LTSA9A*N3060, LTSA9A*N3061, LTUA7A*N, LTUA7A*N2802, LTUA9A*N, LTZA7A*N, LTZA7A*N2802, LTZA9A*N, LTZA9A*N0902, UTE50FSP171TW08 and UTG50FSP111TW08

Wire Harnesses and Wires

Models ATE50FWP431AW01, ATG50FWP301AW01, BTG50FSP091CW01, BTG50FSP111TW01, FTE50FSP301NW01, FTE50FSP301NW10, FTG50FSP301NW10, LTE50FGP541NW23, LTG50FSP081JW01, LTKA6A*N4350, LTL50FGP541NW23, LTSA7A*N3000, LTSA7A*N3300, LTSA7A*N4350, LTSA7A*N4351, LTSA9A*N, LTSA9A*N1180, LTSA9A*N3000, LTSA9A*N3060, LTSA9A*N3061, LTUA9A*N, LTZA9A*N, LTZA9A*N0902 and UTG50FSP111TW08



SWD1202P_802847

Wire Harnesses and Wires

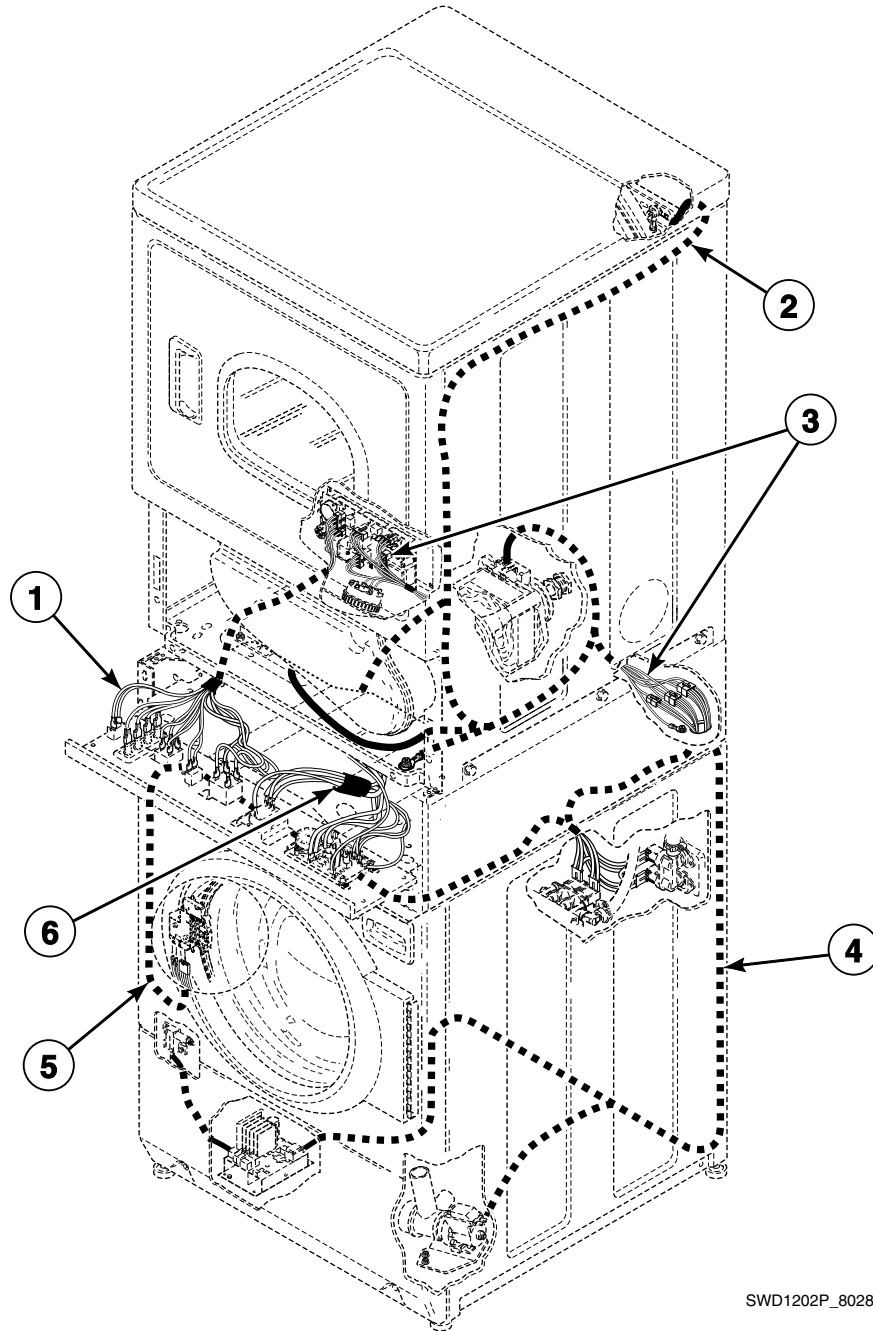
REF	PART NO.	DESCRIPTION	COMMENTS
	45001	18 Gauge Wire	Black
	45380	12 Gauge Wire	Orange
1	802114	Control Panel Harness Assembly	Model LTKA6A*N4350
	801326P	Control Panel Harness Assembly	All other models
2	511750P	Wire Harness Assembly	Dryer; Models ATE50FWP431AW01, FTE50FSP301NW01, FTE50FSP301NW10, LTE50FGP541NW23, LTKA6A*N4350, LTSA7A*N3000, LTSA7A*N3300, LTSA7A*N4350 and LTSA7A*N4351
	511751	Wire Harness Assembly	Dryer; Models FTG50FSP301NW10, LTL50FGP541NW23 and LTSA9A*N3000
	511325P	Upper Harness Assembly	Dryer; Models BTG50FSP091CW01, BTG50FSP111TW01, LTG50FSP081JW01, LTSA9A*N, LTSA9A*N1180, LTUA9A*N, LTZA9A*N, LTZA9A*N0902 and UTG50FSP111TW08
	511781	Wire Harness Assembly	Dryer; Models ATG50FWP301AW01, LTSA9A*N3060 and LTSA9A*N3061
3	801353	Control Wire Harness Assembly	Model LTKA6A*N4350
	801346P	Control Harness Assembly	Models ATE50FWP431AW01, ATG50FWP301AW01, FTE50FSP301NW01, FTE50FSP301NW10, FTG50FSP301NW10, LTE50FGP541NW23, LTL50FGP541NW23, LTSA7A*N3000, LTSA7A*N3300, LTSA7A*N4350, LTSA7A*N4351, LTSA9A*N3000 and LTSA9A*N3060
	801324P	Control Harness Assembly	All other models
4	802274P	Motor Harness Assembly	Models through Serial No. 1201004551
	803581	Motor Harness Assembly	Models starting Serial No. 1201004552
5	802349P	Base Harness Assembly	Model LTKA6A*N4350 through Serial No. 0704007394
	802834P	Base Harness Assembly	Model LTKA6A*N4350 starting Serial No. 0704007395
	802350P	Base Harness Assembly	Models LTSA7A*N3000, LTSA7A*N3300, LTSA7A*N4350, LTSA9A*N3000 and LTSA9A*N3060 through Serial No. 0705003456
	802833P	Base Harness Assembly	Models ATE50FWP431AW01, ATG50FWP301AW01, FTE50FSP301NW01, FTE50FSP301NW10, FTG50FSP301NW10, LTE50FGP541NW23, LTL50FGP541NW23, LTSA7A*N4351 and LTSA9A*N3061; Models LTSA7A*N3000, LTSA7A*N3300, LTSA7A*N4350, LTSA9A*N3000 and LTSA9A*N3060 starting Serial No. 0705003457
	802351P	Base Harness Assembly	All other models through Serial No. 0709009264
	802831P	Base Harness Assembly	All other models starting Serial No. 0709009265
6	511752P	Security Cabinet Harness Assembly	Models ATE50FWP431AW01, FTE50FSP301NW01, FTE50FSP301NW10, LTE50FGP541NW23, LTKA6A*N4350, LTSA7A*N3000, LTSA7A*N3300, LTSA7A*N4350 and LTSA7A*N4351
	511767	Security Cabinet Harness Assembly	Models ATG50FWP301AW01, FTG50FSP301NW10, LTL50FGP541NW23, LTSA9A*N3000, LTSA9A*N3060 and LTSA9A*N3061
	511323	Security Cabinet Harness Assembly	Models LTG50FSP081JW01, LTSA9A*N, LTSA9A*N1180, LTUA9A*N, LTZA9A*N, LTZA9A*N0902 and UTG50FSP111TW08
	511324P	Security Cabinet Harness	All other models

* Add Letter To Designate Color. Q - Bisque W - White

NOTE: Individual wires are not available separately. Order complete harness, or order wire by the foot. When applying terminals to wires, it is recommended that the terminals be soldered to the wires.

Wire Harnesses and Wires Through Serial No. 1303025314

Models BTE50FSP171TW01, BTE50FSP281CW01, LTSA7A*N, LTSA7A*N1500, LTSA7A*N2989, LTUA7A*N, LTUA7A*N2802, LTZA7A*N, LTZA7A*N2802 and UTE50FSP171TW08



SWD1202P_802847

Wire Harnesses and Wires Through Serial No. 1303025314

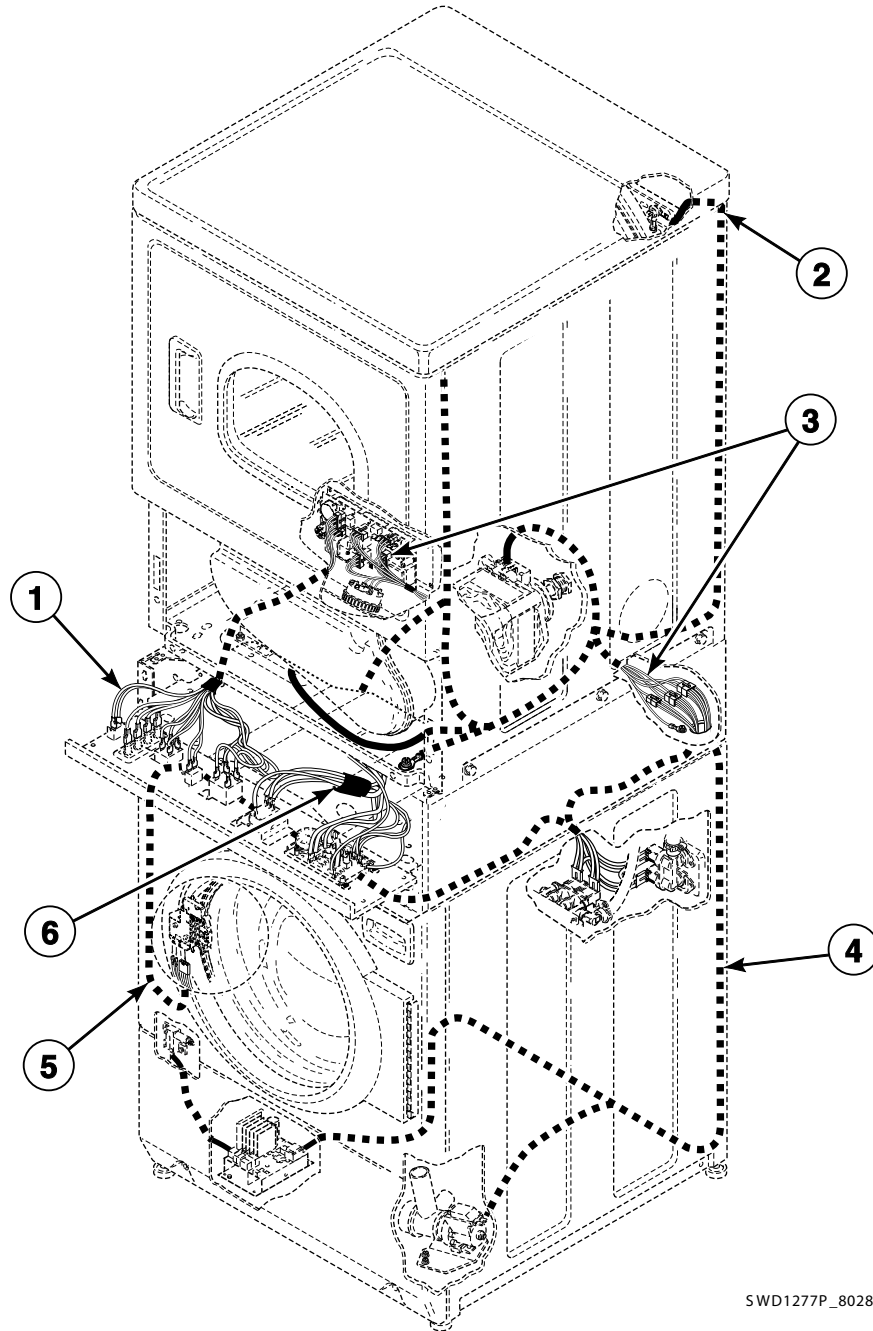
REF	PART NO.	DESCRIPTION	COMMENTS
	45001	18 Gauge Wire	Black
	45380	12 Gauge Wire	Orange
1	801326P	Control Panel Harness Assembly	
2	511322P	Upper Harness Assembly	Dryer
3	801324P	Control Harness Assembly	
4	802274P	Motor Harness Assembly	Models through Serial No. 1201004551
	803581	Motor Harness Assembly	Models starting Serial No. 1201004552
5	802351P	Base Harness Assembly	Models through Serial No. 0709009264
	802831P	Base Harness Assembly	Models starting Serial No. 0709009265
6	511324P	Security Cabinet Harness	

* Add Letter To Designate Color. Q - Bisque W - White

NOTE: Individual wires are not available separately. Order complete harness, or order wire by the foot. When applying terminals to wires, it is recommended that the terminals be soldered to the wires.

Wire Harnesses and Wires Starting Serial No. 1303025315

Models BTE50FSP171TW01, BTE50FSP281CW01, LTSA7A*N, LTSA7A*N1500, LTSA7A*N2989, LTUA7A*N, LTUA7A*N2802, LTZA7A*N, LTZA7A*N2802 and UTE50FSP171TW08



SWD1277P_802847

Wire Harnesses and Wires Starting Serial No. 1303025315

REF	PART NO.	DESCRIPTION	COMMENTS
	45001	18 Gauge Wire	Black
	45380	12 Gauge Wire	Orange
1	801326P	Control Panel Harness Assembly	
2	513946	Wire Harness Assembly	Dryer
3	801324P	Control Harness Assembly	
4	802274P	Motor Harness Assembly	Models through Serial No. 1201004551
	803581	Motor Harness Assembly	Models starting Serial No. 1201004552
5	802351P	Base Harness Assembly	Models through Serial No. 0709009264
	802831P	Base Harness Assembly	Models starting Serial No. 0709009265
6	511324P	Security Cabinet Harness	

* Add Letter To Designate Color. Q - Bisque W - White

NOTE: Individual wires are not available separately. Order complete harness, or order wire by the foot. When applying terminals to wires, it is recommended that the terminals be soldered to the wires.

Parts Index

A

Access Panel and Guard Assembly	
514252Q	33
514252W	33
Access Panel Assembly	
514250Q	9, 33
514250W	9, 33
Access Panel Damper	
685368	9
Access Panel Plate	
510903	51
Adhesive	
511637P	37, 39
Air Duct Assembly	
510151LG	37
510151W	37
Anchor Floor Mount Assembly	
802844P	23
Anti-Seize Compound	
27604P	17

B

Backflow Preventer	
34500	11, 13
800310	21
Ballast Weight	
800205	15
Base Assembly	
802245	23
Base Harness Assembly	
802349P	63
802350P	63
802351P	63, 65, 67
802831P	63, 65, 67
802833P	63
802834P	63
Base Shock Absorber Kit	
802881P	15
Bearing Housing Kit	
800428P	17
Bearing Kit	
RB160001	17
Bit Holder	
24161	59
Blower and Fan Kit	
510717P	35
Blower Fan Assembly	
510139P	35
Blower Housing	
511969WP	35
Blower Housing Seal	
510238P	35
Booster and Holding Coil	
58804A	45
Boot Nozzle	
802291	9, 11

Brace Kit	
918P3	23
Bracket	
510146	51
Bumper Pad	
36226	23
56128	51
Burner Assembly	
510149P	45

C

Cabinet Brace	
801491	23
801492	23
Cabinet Panel Kit	
800004QP	23
800004WP	23
Cabinet Rear Panel	
510005P	51
Cabinet Side Panel	
510001QP	51
510001WP	51
510002QP	51
510002WP	51
Cable Connection Box	
39922	25
Cap	
801746	11
Caution Label	
500253	33
Clamp Ring	
800312	15
Clean Lint Label	
502804	33
Clothes Guard	
803537	15
Clothes Guard and Deflector Kit	
804560P	15
Clothes Guard Deflector	
804174P	15
804482	15
Combustion Duct	
510131	43
Contacto Bracket	
511859	51
Control Access Door	
801373	5
Control Assembly	
802523P	5
804670	5
Control Cabinet Bottom	
801777	7
Control Harness Assembly	
801324P	63, 65, 67
801346P	63
Control Knob Assembly	
803119P	7
Control Panel Assembly	
802101W	7

N/A items do not appear in index.

Control Panel Harness Assembly	
801326P	63, 65, 67
802114	63
Control Shield	
801061	19
801371	5
801372	5
Control Wire Harness Assembly	
801353	63
Cycle Switch	
801240	7
Cylinder Assembly	
510159WP	37
510265LG	37
510265WP	37
Cylinder Baffle	
510102LG	37
510102W	37
Cylinder Belt	
511255P	35
Cylinder Glide	
510188	37
Cylinder Glide Bracket	
510145	37
Cylinder Roller	
510708P	39
Cylinder Roller Bracket	
510100	39
Cylinder Seal Assembly	
510207P	37, 39

D

Damper	
58786	51
Detergent Cover	
800899	11
Directional Exhaust Kit	
528P3	51
Disconnect Power Warning Label	
505281	61
Dispenser	
685756P	11
801090P	11
Dispenser Assembly	
801476P	11
Dispenser Drawer	
685757P	11
Dispenser Drawer Front	
685715QP	11
685715WP	11
Dispenser Drawer Tool	
318P4	59
Dispenser Plate	
801024	11
Dispenser-to-Door Seal Hose	
802256	9, 11
Dispenser-to-Tub Hose	
800331	11
Domed Label	
202128	7
800921	7
800922	7

800923	7
Door and Liner Assembly	
511636QP	31
511636WP	31
Door Assembly	
802368QP	9
802368WP	9
802617WP	9
Door Catch Assembly	
514113	33
802803	9
Door Glass	
802695P	9
Door Handle Wedge	
510129	29
Door Hinge	
802934	9
Door Latch/Switch Assembly	
802317P	9
Door Liner Grill	
503870LG	29
503870W	29
Door Locked Warning Label	
802367	61
Door Seal Assembly	
802866P	9, 11
Door Seal Kit	
802830P	9, 11
Door Strike	
510181	29
Door Strike Mount	
510127	29
Drain Hose	
685730	21
Drain Hose Sleeve	
33615	21
Drain Kit	
985P3	21
Drain Pump	
802623P	21
802624P	21
802625P	21
Drive Belt	
800319P	19
Driven Pulley	
800866	17
Dryer Base	
513901	51
Dryer Door	
510082QP	29
510082WP	29
Dryer Door Assembly	
514114Q	29
514114W	29
Dryer Door Window	
503982P	29
Drying Rack	
512082P	37

E

Elbow	
513072	45

N/A items do not appear in index.

Elbow Shut-Off Valve	
510205	45
Electrical Shock Label	
F8211201	15, 61
502511	61
Exhaust Duct	
510137	51
Exhaust Warning Label	
500497	61
Expansion Clip	
70030501	5, 7
Extension Spring	
802285	9
Extractor Tool	
128P4	55
190P4	55

F

Fabric Selector Switch	
513505	7
Felt Pad	
510189	37
Female Terminal	
00188	55
00255	55
00256	55
Fill Hose	
20617	13
20618	13
37380	13
37381	13
Fill Hose Kit	
38349P	13
Flexible Venting Kit	
521P3	51
Front Bulkhead Assembly	
510266P	37
511033WP	37
Front Panel	
510066QP	33
510066WP	33
802277QP	9
802277WP	9
Front Panel Assembly	
513781W	33
Front Panel Seal	
511056	33
Fuse	
801755	19
Fuse Notice Label	
61294	51

G

Gas Valve Assembly	
510506P	45
59063P	45
60353P	45
Gas Valve Mounting Bracket	
510128	45

Gasket	
802427	21
Glass Door Window	
513910	31
Glass Mounting Clip	
802700	9
Glide Kit	
RB170003	37
Graphic Overlay	
801142	7
802099	7
803362	7
Grommet	
29175	15
Grounding Clip	
00161	15

H

Hardware Kit	
838P3	17
Harness Strap	
55881	9, 11, 27
Heat Duct Shroud	
510101	43
Heater	
510325P	41
Heater Assembly	
510324P	41
510326P	41
510327P	41
510329P	41
Heater Duct and Screw Assembly	
510025P	41, 43
Heater Harness Assembly	
802322P	15
Heater Kit	
964P3	41
Heater Kit Assembly	
61927	41
61928	41
61929	41
61930	41
Heating Element Kit	
803557P	15
Hinge	
511036	31
Hinge Hole Plug	
510186	33
Hinge Plate	
802206	9
Hole Plug	
M412154	23
Hose Clamp	
F200204	21
F200206	11
39282	15
685725	11
802164	9, 11, 13
802281	9
802698	9, 11

N/A items do not appear in index.

Hose Clip	
36985	5, 27
800553	17
Hose Mounting Plate	
800552	17
Housing, 10 Position	
500338	55

I

Idler Lever	
510133	35
Idler Lever and Wheel Assembly	
510158	35
Idler Spring	
510185	35
Idler Wheel and Bearing Assembly	
510142P	35
Igniter and Bracket Assembly	
510184P	45
Inner Basket Assembly	
802365P	17
803008P	17
804322	17
Inner Door Bezel Kit	
802307P	9
Insert	
685716	11
Inverter Control Assembly	
803254P	19
803255P	19

J

Jumper Assembly	
801333	5
Jumper Configuration Assembly	
M413507	5
804212	5
Jumper Harness	
513268	19
513316	19
Jumper Harness Assembly	
M413504	5
Junction Box	
801403	25
804360	25
Junction Box Cover	
801404	25
Junction Box Seal	
801425P	25

K

Knob Assembly	
36701Q	7
36701W	7

L

Lead-In Cord	
201574	25
34458	27
512019	53
59308	53
59373	53
Lead-In Pipe Assembly	
510204	45
Left Control Cabinet Side	
800900QP	5
800900WP	5
Leveling Leg	
34319	23
510135	51
Lid Assembly	
802426P	21
Light	
801431	7
801432	7
Limit Thermostat	
510701	41
510702	43
Line Filter	
201058	25
Liner and Seal Assembly	
510098LG	29
510098W	29
Liner Door Seal	
510147P	29
Lint Filter	
503980LG	37
503980W	37
Lint Filter Cover	
510502LG	37
510502W	37
Lower Junction Box	
801433	25
L.P. Conversion Kit	
401P3	45
649P3	45
L.P. Orifice	
503786	47
58755	47
60941	47

M

Manual Reset Thermostat	
M411941	35
Mixing Valve	
802220P	13
802222P	13
Mixing Valve Plate	
800323	13
Mixing Valve Screen	
802926	13
Motor Access Hole Edging	
801702	23

N/A items do not appear in index.

Motor and Pulley Assembly	
505843P.....	35
505869P.....	35
511629P.....	35
Motor and Rod Assembly Kit	
801684P.....	19
Motor Harness Assembly	
802274P.....	63, 65, 67
803581.....	63, 65, 67
Motor Hub Ring Kit	
590P3.....	35
Motor Mount	
510060.....	35
Motor Mount Clamp	
510180.....	35
Motor Mount Rod	
801062.....	19
Motor Pulley	
500011.....	35
500222.....	35

N

Nut	
F430218.....	15, 17
03673.....	27
21899.....	23
23951.....	9
36020.....	9
44071201.....	31
52566.....	35
56156.....	35, 39
685846.....	9
800452.....	15, 17
800931.....	5
802292.....	9, 11
802343.....	15
803017.....	17
N.G. Conversion Kit	
402P3.....	45
650P3.....	45
N.G. Orifice	
503776.....	49
503778.....	49
503779.....	49
503780.....	49
503781.....	49
503782.....	49
510517.....	49

O

O-Ring	
802429P.....	21
Outer Bezel Assembly	
802616WP.....	9
Outer Door Bezel Kit	
802313QP.....	9
802313WP.....	9
Outer Tub Assembly	
801081P.....	15
801291.....	15

Outlet Cover	
500820.....	41, 43
Out-of-Balance Switch Assembly	
801006.....	15
803415.....	15
Oversudsing Label	
802074.....	61
802838.....	61
802839.....	61

P

Panel Kit	
727P3Q.....	51
727P3W.....	51
Panel Locator	
56079.....	9, 23, 33, 51
Pinched Fingers Label	
F8211301.....	15, 61
Pop Rivet	
685847.....	17
Porcelain Touch-Up Paint	
122P4P.....	51
370P4P.....	51
Power Cord Assembly	
202624.....	25
39931.....	25
57397.....	53
58992.....	53
801450.....	25
801660.....	25
Pressure Bulb	
30907.....	15
Pressure Switch	
802299P.....	5
Pulley Bolt Tightening Fixture	
802336.....	59
Pump Housing	
802428.....	21
Pump Housing Assembly	
802434P.....	21
Pump Mount Bracket	
802626.....	21
Push-to-Start Switch	
801434Q.....	7
801434W.....	7

R

Rear Access Panel	
800011.....	23
Rear Bulkhead Assembly	
510905WP.....	39
511082P.....	39
Rear Control Cabinet	
801058.....	5
Rear Panel	
800010P.....	23
Resistor	
210100.....	5
Resistor Assembly	
511277.....	7

N/A items do not appear in index.

Retainer Clip 36014	21
Retaining Ring 23748	19, 35, 39
Right Control Cabinet Side 800915Q	5
800915W	5
Rocker Switch 38424Q	7
38424W	7
Roller Kit RB170002	39
Rubber Foot 34318	23

S

Screw	
M400043	17, 57
M400057	19
M405188	23
20530	53
23222	35, 41, 45
31260	35
31645	23
33562	33
39733	9, 23, 33, 51
430497	5, 23
500226	29
500824	35
501086	7, 13
501285	37, 39
501524	5, 19
502431	51
503661	5, 9, 13, 15, 19, 21, 23, 25, 51
503688	5, 33, 35, 37, 39, 41, 43, 45, 51
505295	31, 37
505870	29, 31
51782	43, 45
52864	37
56124	45
61199	39
62588	37
62853	33
685831	17
685837	27
800461	15
800462	15, 17
800548	9, 11
800930	7
801001	11
801019	9
801045	9
801993	9
802430	21
802431	21
802596	15
Screw Label 685928	23
Screw Orifice 58719	49
Seal Kit RB170001	37, 39
Sealant 27615P	21

Secondary Coil 58804B	45
Security Cabinet Harness 511324P	63, 65, 67
Security Cabinet Harness Assembly 511323	63
511752P	63
511767	63
Sensor 510213	45
Shaft 56461P	35, 39
Shipping Bracket Label 686901	57
Shipping Materials Kit 930P3	57
Side Panel Kit 800005QP	23
800005WP	23
Snap Bushing M402542	5, 25
Speed Clip 28835	33
Standpipe Strap 33489	21
Strain Relief 32219	21
38384	27, 53
52113	53
52151	53
60298	25, 53
Strain Relief Adapter 502496	53
Switch 512973	33
Switch Mounting Bracket 800663	15
803388	15

T

Temperature Switch 35117	7
687542	7
Tension Rod Assembly 800666	17
Terminal Block Assembly 510190P	39
Terminal Block Shield 510237	39
Terminal Extractor Tool 283P4	55
Thermal Fuse Assembly 511412	41
Thermistor 803256	15
Thermostat 504515	35
510707P	35
511887	35
511957	35
Thermostat Opening Cover 61203	23

N/A items do not appear in index.

Timer	
502964P	7
505794P	7
505795P	7
505796P	7
Timer and Harness Kit	
505797P	7
Timer Knob Assembly	
512117Q	7
512117W	7
803118P	7
Top Hinge	
510136	51
Top Kit	
510032QP	51
510032WP	51
Torx Bit	
282P4	59
Transformer	
210018P	5
803527P	5
Transformer Kit	
511658P	51
Trunnion Shaft and Hardware Kit	
800749P	17
Tub Front Assembly	
802258	15
802259	15
Tub Front Seal	
800432P	15, 17
Tub Shock Absorber Kit	
800622P	15
Tubing	
800648P	15
Tub-to-Pump Hose	
800317	21

U

Upper Harness Assembly	
511322P	65
511325P	63

V

Valve Kit	
685766P	11
801836P	11
Valve-to-Dispenser Inlet Hose	
801464	11, 13
Venting Instruction Label	
502791	61
Voltage Warning Label	
62104	61

W

Warning Label	
500049	15, 61
500314	15, 61
512263	33

803260	61
803522	61
Warning/Caution Label	
500281	33
Washer	
M400014	57
M400080	19
M400081	15
M403958	17
02834	19
03815	27
20290	13
26509	51
504082	39
52549	19, 35, 39
800457	15, 17
800464	17
802254	13
802293	9, 11
803615	13
Water Hose	
F200116	13
Window Clip	
513958	31
Window Trim	
503981Q	31
503981W	31
512633	31
513960Q	31
513960W	31
Wire Assembly	
510527	41
510528	41
Wire Clamp	
800811	15
Wire Clamp Ring	
802283	9
Wire Clip	
504034	27
687500	9, 11, 27
Wire Harness Assembly	
510622	39
511303	51
511750P	63
511751	63
511781	63
513946	67
801420	25
801421	25
802013	25
Wire Tie	
38663	27
Wire, 12 Gauge	
45380	63, 65, 67
Wire, 18 Gauge	
45001	63, 65, 67
Wrench	
392P4	59

N/A items do not appear in index.

